

---

# EDI Implementation Guidelines

## AVIEXP OD 3



## 1 How to read this document

Following pages contain a full description of the ODETTE DELINS Version 3 message. All segments have been included regardless whether used in the interchange with Adient or not. The official ODETTE segment description has been extended with remarks pertaining to the specific requirements for an interchange with Adient. Those remarks contain specific code values to be used, additional information on the values shown or to be shown in a specific field, etc. The aim of those remarks being to simplify the implementation of the message. Example:.

### SDT SELLER DETAILS <sup>1</sup>

ODETTE status : Mandatory<sup>2</sup> Adient status : Mandatory  
 Level : 0<sup>3</sup> Occurrences : One per message  
 Segment providing the identification of the seller (Supplier) by means of his vendor code. <sup>4</sup>

ODETTE STANDARD <sup>5</sup>					Adient IMPLEMENTATION <sup>12</sup>		
AG	DATA ELEMENT NAME	T	FT	P	ST	FT	Adient REMARKS
3347 7	<u>SELLER</u> Seller, coded <sup>8</sup>	M <sup>9</sup> C	an..20 10	:11	M M	an..9	
3036	Party name <sup>14</sup>	C	an..35	:			

### Example <sup>15</sup>

#### SDT+0020115'

(the SDT segment identifies the recipient of the Delivery Instruction message as the seller/Supplier with vendor-code 0020115)

- 1 segment tag and segment name
- 2 segment status : indication of the segment status as defined by ODETTE and as requested by Adient. Bold entries in the Adient status indicate a deviation from the standard, i.e. the segment is **Mandatory** or the segment is **Not used** in the interchange with Adient Europe.
- 3 indication at which level segment is situated and number of occurrences of the segment.
- 4 description of the use of the segment in this message.
- 5 segment description as defined by ODETTE. This description contains :
  - 7 the data element tag;
  - 8 its name;  
*Italic entries under the data element name reflect comments included in the official ODETTE documentation*
  - 9 its status - **ST** :
    - C** Conditional - the segment or the data element is only transmitted if agreed by the interchanging parties.
    - M** Mandatory - the segment or the data element must always be transmitted.
  - 10 its format - **FT** : indication of the representation and length of the value entered for a data element :
    - a** indicates an alphabetical data element whereby **a3** means it has a fixed length of 3 alphabetical digits, whereas **a..3** indicates a variable length with a maximum of 3 alphabetical digits.
    - n** indicates a numerical data element whereby **n6** means it has a fixed length of 6 numerical digits, whereas **n..6** indicates a variable length with a maximum of 6 numerical digits.
    - an** indicates an alpha-numerical data element whereby **an5** means it has a fixed length of 5 alpha-numerical digits, whereas **an..35** indicates a variable length with a maximum of 35 alpha-numerical digits.
  - 11 the separators to be used - **SP** : indication of the end of a composite data element; a single data element or a segment:
    - :
    - +
    - '

- 12 specifications for the use of this segment in an interchange with Adient. This specification consists of :
  - the status indication (**ST** - see under for details)
  - the format indication (**FT** - see under for details)
  - specific remarks
- 13 the bordered areas contain specific (code) values to be used and, when required, additional information regarding those values.
- 14 shaded areas in a segment description reflect data elements which are not used in the interchange with Adient
- 15 example on how the segment will appear in the interchange with Adient.

## 2 Messages Covert

### 2.1 Odette AVIEXP Version 3

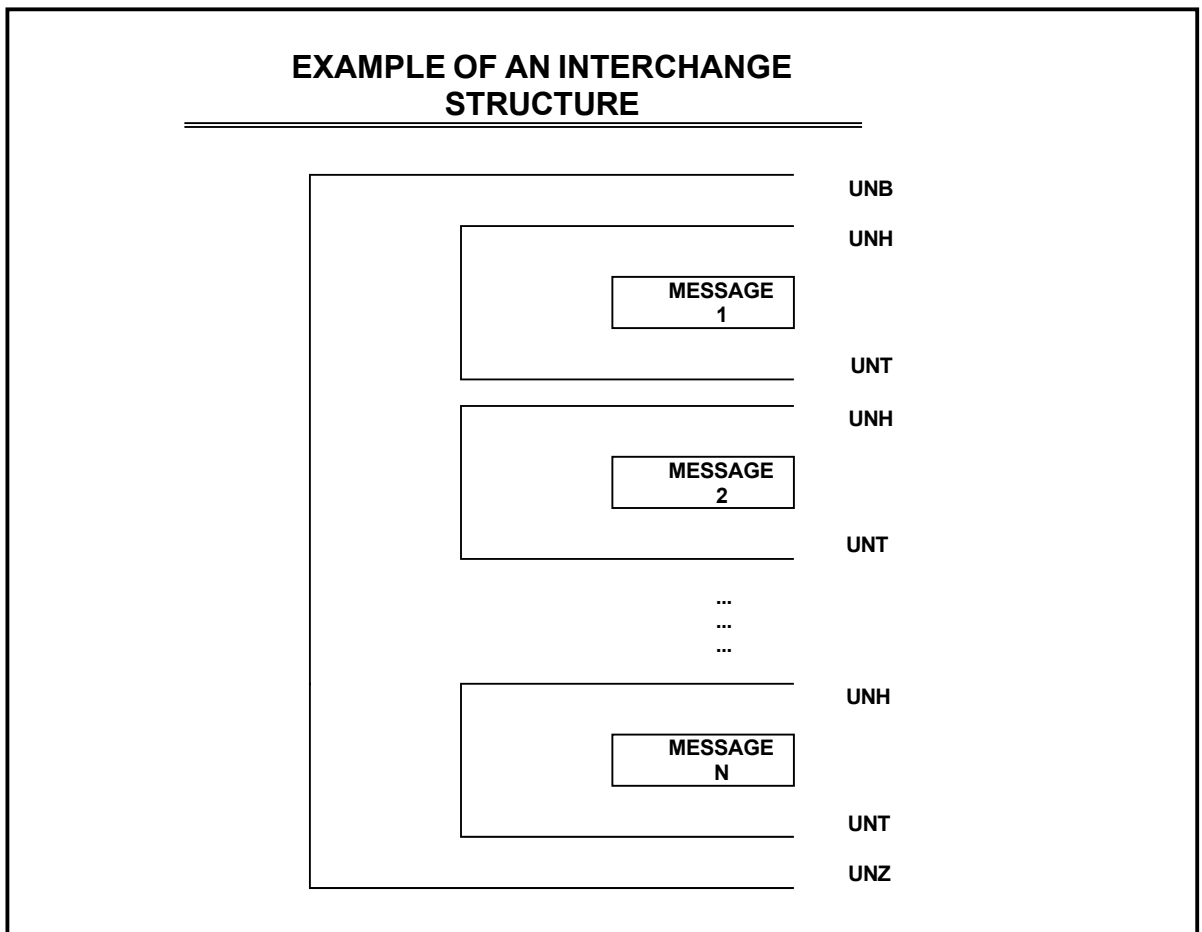
#### 2.1.1 EDI Interchange Segments Odette AVIEXP

Following service segments are as defined by UN/EDIFACT and presented under ISO 9735.

The UNB, UNH, UNT and UNZ segments are the envelope of any message, enclosing all the data that is being transmitted.

The UNB (Interchange header) and UNZ (Interchange trailer) segments mark respectively the beginning and the end of an interchange thereby providing a unique interchange control reference.

Within the interchange the UNH (Message header) and UNT (Message trailer) segments uniquely begin and end the various messages contained in an interchange.



## UNB INTERCHANGE HEADER

EDIFACT status : Mandatory      Adient:                      Mandatory  
 Level :                                  0                                  Occurrences :                      One per interchange

*Mandatory, single occurrence service segment providing the unique identification of an interchange. It allows the identification of the sender and the receiver of the interchange, gives date and time of preparation as well as the interchange control reference and the application reference.*

EDIFACT STANDARD					Adient IMPLEMENTATION		
TAG	DATA ELEMENT NAME	ST	FT	SP	ST	FT	Adient REMARKS
S001	<u>SYNTAX IDENTIFIER</u>	M	M		M		
0001	Syntax identifier	M	M	:	M	a4	Always : 'UNOA'
0002	Syntax version number	M	M	+	M	n1	Always : '1'
S002	<u>INTERCHANGE SENDER</u>	M			M		
0004	Sender identification	M	an..35	:	M	an..35	Odette Code of Receipter
0007	Identification code qualifier	C	an..4	:			
0008	Address for reverse routing	C	an..14	+	M	an..9	Supplier Number of Receipter
S003	<u>INTERCHANGE RECIPIENT</u>	M			M		
0010	Recipient identification	M	an..35	:	M	an..35	Adient ODETTE ID
0007	Identification code qualifier	C	an..4	:	C		
0014	Routing address	C	an..14	+	M	an..9	ID of receiving Adient plant
S004	<u>DATE/TIME OF PREPARATION</u>	M			M		
0017	Date of preparation	M	n6	:	M	n6	Format: 'YYMMDD'
0019	Time of preparation	M	n4	+	M	n4	Format: 'HHMM'
0020	INTERCHANGE CONTROL REFERENCE	M	an..14	+	M	An13	<u>Value</u> : characters Value The Interchange control reference number should be <b>unique</b> .
S005	<u>RECIPIENTS REFERENCE PASSWORD</u>	C					
0022	Recipient's reference/password	M	an..14	:			
0025	Recipient's reference/password qualifier	C	an2	+			
0026	APPLICATION REFERENCE	C	an..14	+	M	a6	Always : 'DELINS'
0029	PROCESSING PRIORITY CODE	C	a1	+			
0031	ACKNOWLEDGEMENT REQUEST	C	n1	+			
0032	COMMUNICATIONS AGREEMENT ID	C	an..35	+			
0035	TEST INDICATOR	C	n1	'			

### EXAMPLES

UNB +UNOA:1+15685039810001::+00013007096JCIEUAG::0341+001027:0733+001027073319'

## UNH MESSAGE HEADER

EDIFACT status : Mandatory      Adiant status : Mandatory  
 Level : 0      Occurrences : One per message  
*Mandatory, single occurrence service segment starting and uniquely identifying the message.*

EDIFACT STANDARD					Adiant IMPLEMENTATION		
TAG	DATA ELEMENT NAME	ST	FT	SP	ST	FT	Adiant REMARKS
0062	MESSAGE REFERENCE NUMBER	M	an..14	+	M	an..14	Number identifying uniquely each message, not to be repeated during the record keeping year and transmitted without leading zeroes.
S009	MESSAGE IDENTIFIER	M			M		
0065	Message type identifier	M	an..6	:	M	a6	Always : 'AVIEXP'
0052	Message type version number	M	an..3	:	M	n1	Always : '3'
0054	Message type release number	M	an..3	:	M	n3	Always : '000'
0051	Controlling agency	M	an..2	:	M	a2	Always : 'OD'
0057	Association assigned code	C	an..6	+			
0068	COMMON ACCESS REFERENCE	C	an..35	+			
S010	STATUS OF THE TRANSFER	C					
0070	Sequence message transfer number	M	n..2	:			
0073	First/last message indicator	C	a1	:			

### EXAMPLE

**UNH+1+AVIEXP:3::OD'**

This UNH segments identifies the message as a AVIEXP version 3 as maintained by ODETTE.

## UNT MESSAGE TRAILER

EDIFACT status : Mandatory      Adiant status : Mandatory  
 Level : 0      Occurrences : One per message  
*Mandatory, single occurrence service segment ending the message and giving the total number of segments contained in the message as well as the Control Reference number of the message.*

EDIFACT STANDARD					Adiant IMPLEMENTATION		
TAG	DATA ELEMENT NAME	ST	FT	SP	ST	FT	Adiant REMARKS
0074	NUMBER OF SEGMENTS IN MESSAGE <i>Control count including the UNH &amp; UNT segments.</i>	M	n..6	+	M	n..6	
0062	MESSAGE REFERENCE NUMBER <i>Value must be the same as in the Message Reference Number (0062) in UNH</i>	M	an..14	'	M	an..14	

### EXAMPLE

**UNT+24+1'**

This UNT segment indicates that the message contains 24 segments including the UNH and UNT segments.

## UNZ INTERCHANGE TRAILER

EDIFACT status : Mandatory      Adiant status : Mandatory  
 Level : 0      Occurrences : One per interchange  
*Mandatory, single occurrence service segment ending an interchange and giving the number of messages contained in the interchange as well as the Interchange Control Reference number.*

EDIFACT STANDARD					Adiant IMPLEMENTATION		
TAG	DATA ELEMENT NAME	ST	FT	SP	ST	FT	Adiant REMARKS
0036	INTERCHANGE CONTROL COUNT <i>Number of messages in an interchange</i>	M	n..6	+	M	n..6	
0020	INTERCHANGE CONTROL REFERENCE <i>The value must be the same as in Interchange Control Reference (020) in segment UNB</i>	M	an..14	'	M	an..14	

### EXAMPLE

**UNZ+1+001027073319**

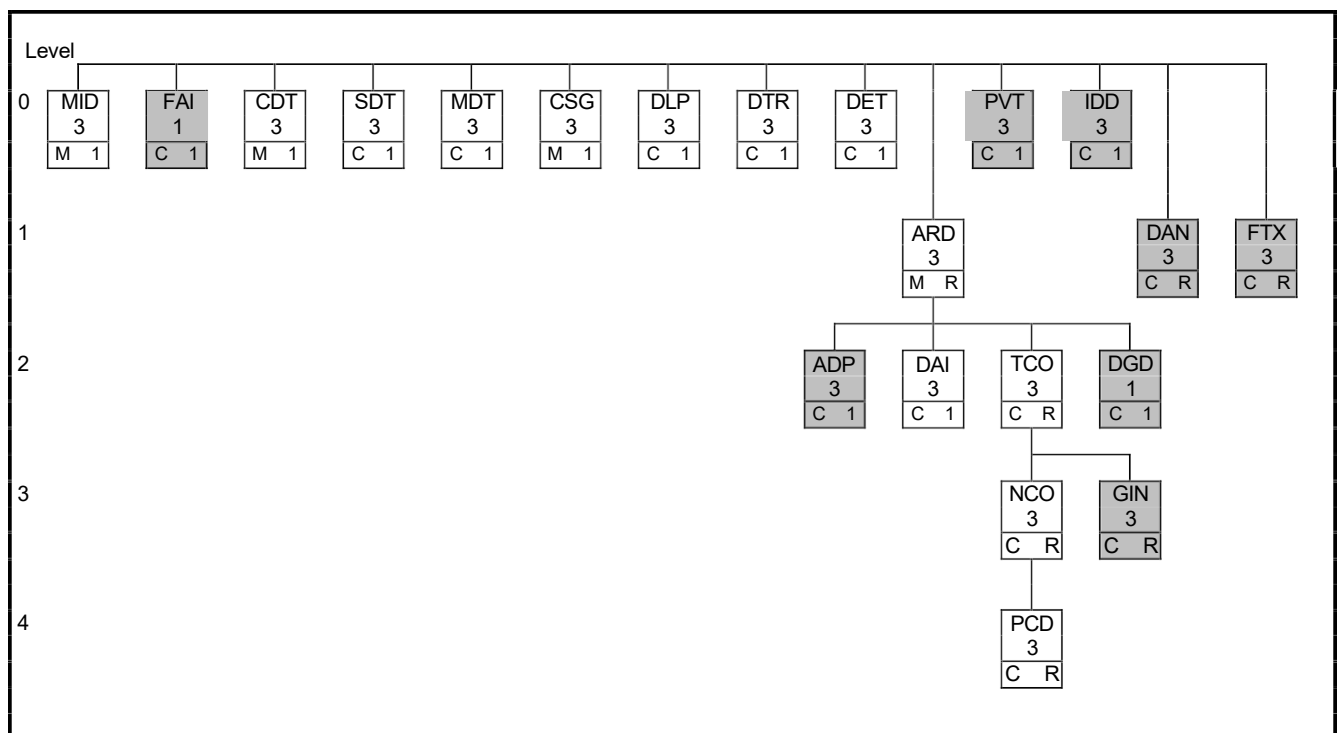
This UNZ segment indicates that the interchange with Control Reference DEL0009070001 contains 1 message.

## 2.1.2 Branching Diagram

The branching diagram shows the structure of the message. It is a combination of various segments that are organised in a certain hierarchical order. A segment is a pre-defined set of functionally related values (e.g., segment SDT groups all values that relate to a Seller : name - address - contact person - etc.)

Each segment within the branching diagram is broken down into one or multiple data elements. Within a segment, only those data elements that contain data must appear.

Note : following branching diagram does not include the mandatory service segment described under item 2.



### Legend

CSG	Name of the segment
2	Version number of segment
M R	Number of occurrences (R = more than one occurrence)

Status (M = Mandatory - C = Conditional)

**NOTE** : shaded areas in the branching diagram indicate that the segment is not used in the interchange described in this documentation



### 2.1.3 Odette AVIEXP Version 3 Segment Description

This part includes all the segments defined in the standard whether used or not used in the interchange between Adient and its Trading Partners. The segments are described in the same sequence as they appear in the message.

#### MID MESSAGE IDENTIFICATION

ODETTE status : Mandatory      Adient status : Mandatory  
 Level : 0      Occurrences : One per message

*Mandatory, single occurrence segment which must contain the unique identification of the Despatch Advice by means of its number, date (and time) of issuance and its authentication, according to a mutually agreed system, if there is any concern about the validity of the Despatch Advice.*

ODETTE STANDARD					Adient IMPLEMENTATION		
TAG	DATA ELEMENT NAME	ST	FT	SP	ST	FT	Adient REMARKS
1004	Document Number	M	an..17	+	M	n8	Contains the Despatch Advice number assigned by the sender's system. Number = 8 digits with leading zeroes. Should not start with characters "C", "I" or "S" incase of alphanumeric value.
	<u>DOCUMENT DATE AND TIME</u> <i>See ODDC 2.</i>	M			M		
2007	Document Date, coded	M	n6	:	M	n6	Date of Despatch Note
2002	Time	C	n4	+			Time of Despatch Note
4426	Authentication	C	an..35	'			

#### ATTENTION

##### Data elements 1004 - Document Number & 2007 - Document Date, coded :

The correct indication of the Despatch Advice number and its issue date is absolutely required as the message will be rejected if the information has not been entered or has been entered incorrectly.

#### EXAMPLE

**MID+00017386+211027:0700'**

Segment MID identifies the message as Despatch Advice number 17386 issued on October 27, 2021.

## FAI FLOW/ADVICE INFORMATION

ODETTE status : Conditional      Adiant status : **Not used**  
 Level : 0      Occurrences : One per message

*Conditional, single occurrence segment used to provide coded values for the destination of the consignment(s) and the type of Despatch Advice (i.e. individual or summary - see also # 10.03).*

**The FAI segment is not used in the Despatch Advice message exchanged with Adiant.**

ODETTE STANDARD					Adiant IMPLEMENTATION		
TAG	DATA ELEMENT NAME	ST	FT	SP	ST	FT	Adiant REMARKS
1854	Material Flow Type, coded See ODDC 63.	C	an1	+			
1856	Despatch Advice Type, coded See ODDC 64.	C	an1	'			

## CDT CONSIGNOR DETAILS

ODETTE status : Mandatory      Adiant status : Mandatory  
 Level : 0      Occurrences : One per message  
*Mandatory, single occurrence segment providing the identification of the Consignor by means of his Adiant-assigned vendor code. Commercial, accounting and/or other contact details may be added when required for future contact. **Consignor** : party which consigns or sends goods with a Carrier to the Consignee.*

ODETTE STANDARD					Adiant IMPLEMENTATION		
TAG	DATA ELEMENT NAME	ST	FT	SP	ST	FT	Adiant REMARKS
3337	CONSIGNOR Consignor, coded See ODDC 20.	M C	an..20	:	M M	an..9	<b>CHANGED STATUS VERSUS STANDARD</b> Vendor/Supplier Code identifying the Consignor. The code must be entered left-aligned and with leading zeroes. Name of the Consignor.
3036	Party name	C	an..35	:	C	an..35	
3124	Name and Address Line	C	an..35	:			
3124	Name and Address Line	C	an..35	:			
3124	Name and Address Line	C	an..35	:			
3124	Name and Address Line	C	an..35	:			
3296	Internal Id. No. allocated to a Trading Partner	C	an..35	+			
	<u>CONSIGNOR DEPARTMENT OR EMPLOYEE</u>	C			C		
3413	Department or Employee, coded See ODDC 19.	C	an..17	:	C	an..3	Supplier's Plant from where the material is being shipped
3412	Department or Employee	C	an..35	:			
3124	Name and Address Line	C	an..35	:			
3124	Name and Address Line	C	an..35	:			
3124	Name and Address Line	C	an..35	:			
3207	Country, coded See ODDC 6.	C	a2	+			
	<u>CONTACT DETAILS</u>	C					
3412	Department or Employee	C	an..35	:			
3928	Telephone Number	C	an..17	:			
3929	Telephone Extension	C	an..17	:			
3927	Telex Number	C	an..17	:			
3926	Fax Number	C	an..17	:			
3930	Teletex Number	C	an..17	:			

### ATTENTION

#### Data element 3337 - Consignor, coded :

The indication of the correct vendor code is absolutely required as the message will be rejected if the vendor code has not been entered or is not entered correctly.

### EXAMPLE

CDT+0931568503981:CONSIGNOR NAME+\*

Segment CDT identifies the Sender of the material as the Trading Partner with Adiant assigned vendor-code 0931568503981.

The Consignor may also want to transmit its name in clear form.

## SDT SELLER DETAILS

ODETTE status : Conditional      Adiant status : Conditional  
 Level : 0      Occurrences : One per message  
*Conditional, single occurrence segment providing the identification of the Seller (Supplier) by means of his vendor code. Commercial, accounting and/or other contact details may be added when required for future contact.*

ODETTE STANDARD					Adiant IMPLEMENTATION		
TAG	DATA ELEMENT NAME	ST	FT	SP	ST	FT	Adiant REMARKS
	<u>SELLER</u>	M					
3347	Seller, coded See ODDC 20.	C	an..20	:			
3036	Party Name	C	an..35	:			
3124	Name and Address Line	C	an..35	:			
3124	Name and Address Line	C	an..35	:			
3124	Name and Address Line	C	an..35	:			
3124	Name and Address Line	C	an..35	:			
3296	Internal Id. No. allocated to a Trading Partner	C	an..17	+			
	<u>COMMERCIAL DEPARTMENT OR EMPLOYEE</u>	C					
3413	Department or Employee, coded See ODDC 13.	C	an..17	:			
3412	Department or Employee	C	an..35	:			
3124	Name and Address Line	C	an..35	:			
3124	Name and Address Line	C	an..35	:			
3124	Name and Address Line	C	an..35	:			
3124	Name and Address Line	C	an..35	+			
	<u>ACCOUNTING DEPARTMENT OR EMPLOYEE</u>	C					
3413	Department or Employee, coded See ODDC 13.	C	an..17	:			
3412	Department or Employee	C	an..35	:			
3124	Name and Address Line	C	an..35	:			
3124	Name and Address Line	C	an..35	:			
3124	Name and Address Line	C	an..35	:			
3124	Name and Address Line	C	an..35	+			
3808	VAT Registration Number	C	an..17	+			
3207	Country, coded See ODDC 6.	C	a2	+			
	<u>CONTACT DETAILS</u>	C					
3412	Department or Employee	C	an..35	:			
3928	Telephone Number	C	an..17	:			
3929	Telephone Extension	C	an..17	:			
3927	Telex Number	C	an..17	:			
3926	Fax Number	C	an..17	:			
3930	Teletex Number	C	an..17	:			

### EXAMPLE

SDT+0931568503981:CONSIGNOR NAME+  
 Segment CDT identifies the Sender of the material as the Trading Partner with Adiant assigned vendor-code 0931568503981.  
 The Consignor may also want to transmit its name in clear form.

## MDT MANUFACTURER DETAILS

ODETTE status : Conditional  
Level : 0

Adient status : Conditional  
Occurrences : One per message

*Conditional, single occurrence segment giving details of the manufacturer if different from the seller of the articles defined in the following ARD segments.*

ODETTE STANDARD					Adient IMPLEMENTATION		
TAG	DATA ELEMENT NAME	ST	FT	SP	ST	FT	Adient REMARKS
	<u>SUPPLIER</u>	M					
3281	Supplier Coded	C	an..20	:			
3036	Party Name	C	an..35	:			
3124	Name and Address Line	C	an..35	:			
3124	Name and Address Line	C	an..35	:			
3124	Name and Address Line	C	an..35	:			
3124	Name and Address Line	C	an..35	:			
3296	Internal Id.No. allocated to a Trading Partner	C	an..17	+			
	<u>SUPPLIER DEPARTMENT OR EMPLOYEE</u>	C					
3413	Department or Employee, coded	C	an..17	:			
3412	Department or Employee	C	an..35	:			
3124	Name and Address Line	C	an..35	:			
3124	Name and Address Line	C	an..35	:			
3124	Name and Address Line	C	an..35	:			
3124	Name and Address Line	C	an..35	+			
3207	Country, coded	C	a2	+			
	<u>CONTACT DETAILS</u>	C					
3412	Department or Employee	C	an..35	:			
3928	Telephone Number	C	an..17	:			
3929	Telephone Extension	C	an..17	:			
3927	Telex Number	C	an..17	:			
3926	Fax Number	C	an..17	:			
3930	Teletex Number	C	an..17	'			

## CSG CONSIGNEE DETAILS

ODETTE status : Mandatory      Adiant status : Mandatory  
 Level : 0      Occurrences : One per message

*Mandatory, single occurrence segment providing details of the consignee. A coded or uncoded name and/or address must be included. Although, in most cases, the Consignee will also be the party taking delivery of the material, it may happen that this is not the case, e.g. deliveries via a Grouping Centre. Under those circumstances the DLP segment will be used to provide details regarding the Third Party which will take delivery of the material.*

***In the interchange with Adiant the CSG segment is used to identify the final delivery location (the DLP segment is not used) and when available the dock identification where the material must be delivered.***

ODETTE STANDARD					Adiant IMPLEMENTATION		
TAG	DATA ELEMENT NAME	ST	FT	SP	ST	FT	Adiant REMARKS
3133	<u>CONSIGNEE</u> Consignee, coded	M C	an..20	:	M M	an..9	Customer Code: Identification No. assigned by the supplier to the customer.
3036	Party Name	C	an..35	:			
3124	Name and Address Line	C	an..35	:			
3124	Name and Address Line	C	an..35	:			
3124	Name and Address Line	C	an..35	:			
3124	Name and Address Line	C	an..35	:			
3296	Internal Id.No. allocated to a Trading Partner	C	an..17	+			
3921	<u>FINAL DELIVERY POINT</u> Final Delivery Point, coded See ODDC 19.	C C	an..17	:	M M	an..3	
3920	Final Delivery Point	C	an..35	:			
3124	Name and Address Line		an..35	:			
3124	Name and Address Line		an..35	:			
3124	Name and Address Line		an..35	:			
3124	Name and Address Line		an..35	+			
3923	<u>ADDITIONAL DESTINATION DETAILS</u> Additional Destination Details, coded See ODDC 19.	C C	an..17	:	M M	an..5	
3922	Additional Destination Details	C	an..35	:			
3124	Name and Address Line	C	an..35	:			
3124	Name and Address Line	C	an..35	:			
3124	Name and Address Line	C	an..35	:			
3124	Name and Address Line	C	an..35	+			
3207	Country, coded See ODDC 6.	C	a2	+			
3412	<u>CONTACT DETAILS</u> Department or Employee	C	an..35	:			
3928	Telephone Number	C	an..17	:			
3929	Telephone Extension	C	an..17	:			
3927	Telex Number	C	an..17	:			
3926	Fax Number	C	an..17	:			
3930	Teletex Number	C	an..17	'			

### ATTENTION

#### Data element 3133 - Consignee, coded :

The entry of the code indicated above is required. Missing or incorrect information will automatically result in the rejection of the message.

### EXAMPLE

#### CSG+34301'

Segment CSG indicates that the material get's delivered to Adiant Site coded 34301. Address information may be submitted.

## DLP DELIVERY PARTY DETAILS

ODETTE status : Conditional      Adiant status : Conditional  
 Level : 0      Occurrences : One per message

*Conditional, single occurrence segment containing the name and address of a Third Party which is to be involved in the physical flow of goods from Seller to Buyer. This segment may be used to identify e.g. a Grouping Centre which will take delivery of the material on behalf of the Consignee*

ODETTE STANDARD					Adiant IMPLEMENTATION		
TAG	DATA ELEMENT NAME	ST	FT	SP	ST	FT	Adiant REMARKS
	<b>DELIVERY PARTY</b>	M					
3145	Delivery Party, coded See ODDC 20.	C	an..20	:			Delivery Aprty coded.
3036	Party Name	C	an..35	:			
3124	Name and Address Line	C	an..35	:			
3124	Name and Address Line	C	an..35	:			
3124	Name and Address Line	C	an..35	:			
3124	Name and Address Line	C	an..35	:			
3296	Internal Id.No. allocated to a Trading Partner	C	an..17	+			
	<b>DELIVERY PARTY DEPARTMENT OR EMPLOYEE</b>	C					
3413	Department or Employee, coded See ODDC 19.	C	an..17	:			
3412	Department or Employee	C	an..35	:			
3124	Name and Address Line	C	an..35	:			
3124	Name and Address Line	C	an..35	:			
3124	Name and Address Line	C	an..35	:			
3124	Name and Address Line	C	an..35	+			
3207	Country, coded See ODDC 6.	C	a2	+			
	<b>CONTACT DETAILS</b>	C					
3412	Department or Employee	C	an..35	:			
3928	Telephone Number	C	an..17	:			
3929	Telephone Extension	C	an..17	:			
3927	Telex Number	C	an..17	:			
3926	Fax Number	C	an..17	:			
3930	Teletex Number	C	an..17	:			

## DTR DATA ON TRANSPORT

ODETTE status : Conditional      Adient status : Conditional  
 Level : 0      Occurrences : One per message

*Conditional, single occurrence segment used to give details of the means of transport, loading details, despatch and arrival dates and times. If used, the details of the Carrier must be included.*

*Only one means and mode of transport can be provided per message. If the material is loaded onto another means of transport before arriving at its destination, only the transport means onto which the material was originally loaded should be provided in the interchanges with Adient.*

ODETTE STANDARD					Adient IMPLEMENTATION		
TAG	DATA ELEMENT NAME	ST	FT	SP	ST	FT	KCI REMARKS
8212	Identification of the Means of Transport	C	an..17	+	M	an2	Code qualifying the trailer number. See code list (DTR Data on Transport - tag 8212).
8164	<u>CONSIGNMENT GROUP NUMBER</u> Trailer Number	C	an..17	:	M	an..17	Number or name of transportation means.
8028	Conveyance Reference Number	C	an..17	+			Reference Number
3127	<u>CARRIER</u> Carrier, coded See ODDC 20.	M	an..20	:	M	an9	Name of Carrier
3036	Party Name	C	an..35	:	C	an..14	
3124	Name and Address Line	C	an..35	:			
3124	Name and Address Line	C	an..35	:			
3124	Name and Address Line	C	an..35	:			
3124	Name and Address Line	C	an..35	:			
3296	Internal Id.No. allocated to a Trading Partner	C	an..17	+			
1188	Transport Document Number	C	an..17	+	M	n8	Freight Bill No.: Reference No. assigned by the supplier to a despatch as defined in TDED 1410.
4351	Carriage Payment Instructions, coded See ODDC 8.	C	a1	+			
2349	Estimated Arrival Date (and Time) at Destination, coded See ODDC 2.	C	n10	+	M	n10	Time determined by the customer when the material should be delivered to his premises. Format : YYMMDDHHMM
3335	<u>PLACE OF LOADING</u> Place of Loading, coded See ODDC 35.	C	a5	:			
3334	Place of Loading	C	an..17	+			
2459	Packing List Date, coded	C	n6	+			
2171	<u>DESPATCH DATE AND TIME</u> See ODDC 2.	C					Transfer Date and Time: Date and Time when material was handed over to the carrier. Format: YYMMDD Format: HHMM
2002	Despatch Date, coded Time	C	n6 n4	: ,	M M	n6 n6	

### ATTENTION

#### Segment DTR - Data on Transport :

This segment is mandatory in interchanges with Adient, which means that the message will be automatically rejected if this segment is not included.

#### Data elements 3127 – Carrier, coded & 1188 – Transport Document Number :

Both data elements are mandatory in the exchanges with Adient. Missing information will automatically result in the rejection of the message.

#### Data element 2349 – Estimated Arrival Date (and Time) at Destination, coded :

The indication of the date and time when the material LEFT the Consignor's premises is mandatory in exchanges with Adient. Missing or incorrect information will automatically result in the rejection of the message.

**DTR - DATA ON TRANSPORT (Continued)**



---

**EXAMPLE**

**DTR +17386+612SG88 (409):17386+888888:FOURNISSEUR TRANSPORT DEPART::: :FRANCE:+17386++0010271800++**

The DTR Segment identifies the license plate (612SG88) of Carrier FOURNISSEUR TRANSPORT DEPART as being AFL-943.

It also the date and time when the material should be delivered to customers' premises (October, 27 2000 18:00h) and when it was handed over to the carrier (October, 28 1997 12.30h).

## DET DELIVERY TERMS

ODETTE status : Conditional  
Level : 0

Adient status : Conditional  
Occurrences : One per message

Conditional, single occurrence segment containing delivery terms (Incoterms) and primarily included for use with international consignments.

**In the interchange with Adient DET is used to transmit the mode of transportation and the cumulated gross and net weight of the consignment.**

ODETTE STANDARD					Adient IMPLEMENTATION		
TAG	DATA ELEMENT NAME	ST	FT	SP	ST	FT	Adient REMARKS
8067	Mode of Transport, coded. See ODDC 3.	M	n..2	+	M	n2	For valid code values to be used with Adient see code list (DET Delivery Terms) - tag
4110	Incoterms Code See ODDC 4.	C	a3	+			
3019	<u>INCOTERMS</u> Incoterms Place, coded See ODDC 35.	C	an..8	:			
3018	Incoterms Place	C	an..32	+			
4052	<u>TERMS OF DELIVERY</u> Terms of Delivery	C	an..35	:	M	n2	<b>CHANGED STATUS VERSUS STANDARD</b> Code for Terms of Delivery, see code list (DET Terms of Delivery – tag 4052)
4052	Terms of Delivery	C	an..35	:	M	n7	
4052	Terms of Delivery	C	an..35	:	M	n7	
4052	Terms of Delivery	C	an..35	:			
4052	Terms of Delivery	C	an..35	:			

### ATTENTION

#### Segment DET - Delivery Terms :

This segment is mandatory in interchanges with Adient, which means that the message will be automatically rejected if this segment is not included.

#### Data element 8067 - Mode of Transport, coded :

This entry is mandatory in the exchanges with Adient. Missing or incorrect information will automatically result in the rejection of the message.

#### Data element 4052 - Terms of Delivery :

The entries in these fields are mandatory in exchanges with Adient. Missing or incorrect information (e.g., use of alphabetical characters, use of leading zeroes and/or decimal digits) will automatically cause the rejection of the message.

### EXAMPLE

#### DET +30+++0004652'

Segment DET identifies the mode of transportation as a truck from a Shipping Agent (code 30) and indicates that the total gross weight of the material shipped with that truck amounts to 4652 kilos.

## ARD ARTICLE DETAILS

ODETTE status : Mandatory      Adiant status : Mandatory  
 Level : 1      Occurrences : Several per message

*Mandatory, repeatable segment providing details of an article (part number) delivered. The quantity despatched must be included and the order/contract authorising the delivery must be given.*

*All segments below the ARD segment relate to the article (part number) specified in ARD and may all appear at least once before the ARD segment is repeated to give details of another article (1 ARD segment per article/part number per CSG segment).*

ODETTE STANDARD					Adiant IMPLEMENTATION		
TAG	DATA ELEMENT NAME	ST	FT	SP	ST	FT	Adiant REMARKS
7304	<u>ARTICLE IDENTIFICATION</u> Buyer's Article Number	M C	an..35	:	M M	an..22	Customers' part number: Entry to be taken form DELINS / ARD - tag 7304. Number assigned by Supplier - not required by Adiant.
7194	Seller's Article Number	C	an..35	:	C	an..22	
7008	Article Description <i>Buyer's description.</i>	C	an..35	:			
7008	Article Description	C	an..35	:			
7008	Article Description	C	an..35	:			
7008	Article Description	C	an..35	+			
6270	<u>QUANTITY AND UNIT</u> Quantity Delivered	M M	n..10	:	M M	n..9	Quantity of the part number defined in this segment that is delivered with this Despatch Advice in line with the order/contract stipulated below not including decimal digits. <b>CHANGED STATUS VERSUS STANDARD</b> See code list to be used with (ARD Article Details - tag 6410).
6410	Measure Unit Specifier <i>See ODDC 25. Default value : pieces.</i>	C	an..3	+	M	a2	
1022	<u>ORDER OR CONTRACT IDENTIFICATION</u> Order Number	M M	an..17	:	M M	an9	Always Purchase Order Number = 9 characters including trailing zeroes. Entry to be taken form DELINS / ARD - tag 1022. <b>Only one Purchase Order number per Despatch Advice allowed.</b> Order Date, "000000" if date unknown.
2001	Date, coded <i>See ODDC 2.</i>	C	n6	+			
3239	<u>COUNTRY OF ORIGIN</u> Country of Origin, coded <i>See ODDC 6.</i>	C C	a2	:	C C	a2	See code list to be used with BGE (ARD Article Details - tag 3239).
3238	Country of Origin	C	an..17	+			
4440	<u>FREE TEXT</u> Free Text	C M	an..70	:	M M	an4	
4440	Free Text	C	an..70	:	M	an11	
4440	Free Text	C	an..70	+			
7860	<u>TECHNICAL STATUS</u> Design Revision Number	C C	an..35	:			
1376	Engineering Change Number	C	an..17	:			
2001	Date, coded <i>See ODDC 2.</i>	C	n6	+			

**ATTENTION**

**Data element 7304 - Buyer's Article Number :**

The indication of the Adient assigned part number is absolutely required as the message will be rejected if the entry is missing or invalid.

**Data elements 6270 - Quantity delivered & 6410 - Measure Unit specifier :**

Both data elements are required. Missing or incorrect entries will automatically cause the rejection of the message.

**Data element 1022 - Order Number :**

The indication of the Adient Purchase Order Number is essential and absolutely required. The message will be rejected if the entry is either missing, incomplete or invalid.

**EXAMPLE**

**ARD +8502467:CA12467:CAV X65 NU +144:PCE+ROT20047+FR:FRANCE++'**

Segment ARD identifies the article to be delivered as part number 8502467 (*Suppliers part number ca12467*) covered by Purchase Order number ROT20047, originating from France (FR). The quantity delivered for this part number is 144 pieces.

## ADP LINE ITEM SPECIFIC DATA

ODETTE status : Conditional      Adient status : **Not used**  
 Level : 2      Occurrences : One per ARD segment

*Conditional, single occurrence (once per ARD) segment containing miscellaneous information concerning the article detailed in ARD. An article batch number, Delivery Instruction number and a part consignment number can be given. The ADP segment is not used in the Despatch Advice message exchanged with Adient.*

ODETTE STANDARD					Adient IMPLEMENTATION		
TAG	DATA ELEMENT NAME	ST	FT	SP	ST	FT	Adient REMARKS
5284	<u>UNIT PRICE BASIS</u>	C					
	Unit Price Basis <i>Mandatory if the unit of measurement used for the delivery quantity differs from the ordered unit.</i>	C	n..9	:			
6410	Measure Unit Specifier <i>Mandatory if different from the unit of measure used for the 'Quantity delivered' (ARD - tag 6270). See ODDC25.</i>	C	an..3	+			
7338	Article Batch Number	C	an..17	+			
1174	Delivery Instruction Number	C	an..17	+			
1310	Part Consignment Number	C	an..17	+			
1420	Kanban Card Number	C	an..3	+			
1082	Line Item Number	C	n..6	+			
7822	Seller's Superseded Article Number	C	an..35	'			

## DAI GENERAL ARTICLE INFORMATION

ODETTE status : Conditional      Adient status : Conditional  
 Level : 2      Occurrences : One per ARD segment  
*Conditional, single occurrence (once per ARD) segment providing additional information, primarily related to foreign trade issues, on the article identified in the preceding ARD segment.*

ODETTE STANDARD					Adient IMPLEMENTATION		
TAG	DATA ELEMENT NAME	ST	FT	SP	ST	FT	Adient REMARKS
6160	<u>WEIGHT</u> Net Weight	M		:			
6410	Measure Unit Specifier <i>See ODDC 25. Default value = kilos.</i>	C	n..11	+			
7282	Tariff Code Number <i>(Customs).</i>	C	n..10	+			
5116	<u>CUSTOMS DECLARED VALUE</u> Item Amount	M		:			
6345	Currency, coded <i>See ODDC 7.</i>	M	n..15	+			
4423	<u>NATURE OF TRANSACTION</u> Nature of Transaction, coded <i>See ODDC 13.</i>	C		:			
4422	Nature of Transaction	C	an..8	+			
9213	Type of Duty Regime, coded <i>Mandatory for transactions between EC and EFTA countries. See ODDC 34.</i>	C	an..17	+			
1106	Import License Number	C	an..17	'			
1208	Export License Number	C	an..17	'			
<b>EXAMPLE</b>							
<b>DAI+1:KGM+0+4:EUR++++'</b>							
Segment DAI identifies the Weight, the Weight Unit, the Amount and the Currency							

## TCO TYPE OF PACKAGE

ODETTE status : Conditional      Adient status : Mandatory  
 Level : 2      Occurrences : Several per ARD segment

*Conditional, repeatable segment containing data specifying the packaging for the article (part number) identified in the preceding ARD segment. This segment can repeat to provide details of different packaging requirements for the same article (part number).*

***In the data exchange with Adient this segment may appear up to three times per ARD segment to allow the identification of various elements of the packaging.***

ODETTE STANDARD					Adient IMPLEMENTATION		
TAG	DATA ELEMENT NAME	ST	FT	SP	ST	FT	Adient REMARKS
	<b>PACKAGE DATA</b>	M			M		
7064	Type of Packages	C	an..35	:			
1906	Package Reference Number	C	an..35	:	M	an..22	Package reference Number
1131	Code List Identifier, coded See ODDC 62.	C	an2	+			
7224	Number of Packages	M	n..6	+	M	n6	Number of packages or packaging items as identified in tag 1906.
	<b>QUANTITY</b>	C			C		
6853	Quantity of Articles in Package	M	n..10	:	M	n..7	Standard filling quantity of announced packaging device as agreed with Adient.
6410	Measure Unit Specifier See ODDC 25. Default value = pieces.	C	an..3	+			
	<b>DIMENSIONS</b>	C					
6168	Length Dimension	C	n..5	:			
6140	Width Dimension	C	n..5	:			
6008	Height Dimension	C	n..5	:			
6410	Measure Unit Specifier See ODDC 25. Default value = metres.	C	an..3	+			
	<b>WEIGHT</b>	C					
6292	Gross Weight	C	n..11	:			
6160	Net Weight	C	n..11	:			
6410	Measure Unit Specifier See ODDC 25. Default value = kilos.	C	an..3	+			
2069	Effective From Date, coded See ODDC 2.	C	n6	'			

### ATTENTION

#### Data elements 1906 - Package Reference Number & 7224 - Number of Packages :

These data elements are mandatory and must be included in the exchanges with Adient whenever the TCO segment is being used. Missing or incorrect entries (alpha-numerical instead of numerical characters, wrong field length, etc.) will cause the automatic rejection of the message.

### EXAMPLE

**TCO+:KLT6428+8+20'**

The example of a TCO segment indicates that the part number defined in the preceding ARD segment has been delivered in eight KLT6428 containers, each containing 20 pieces.

## NCO PACKAGE IDENTIFICATION NUMBERS

ODETTE status : Conditional      Adient status : Mandatory  
 Level : 3      Occurrences : Several per TCO segment  
*Repeatable segment giving the possibility to transmit package identification numbers related to the packaging specified in the preceding TCO segment.*

ODETTE STANDARD					Adient IMPLEMENTATION		
TAG	DATA ELEMENT NAME	ST	FT	SP	ST	FT	Adient REMARKS
7246	Transport Label Number <i>Used to specify 'M' or 'G' type label numbers.</i>	C	an..17	+			
7102	<u>MARKS AND NUMBERS</u> <i>Used to specify 'S' type label numbers.</i> Shipping Marks <i>Can occur up to 100 times.</i>	M	an..17	+			This character string shall not be repeated within 5 years.
2837	Date of Production, coded. <i>See ODDC 2. Production date of the contents of the package.</i>	C	n6	'			



## PCD PACKAGE CONTENT DETAILS

ODETTE status : Conditional      Adiant status : Conditional  
 Level : 4      Occurrences : Several per NCO segment

*Conditional and repeatable segment allowing different quantities and weights to be specified for packages of the same type. When the packages contain the same quantity and are of the same weight, the PCD segment need not to be used. If the quantity or weight of packages of the same type vary, a separate PCD must be issued for each package. The number of TCO segments must then correspond to the number of packages indicated in the preceding TCO segment (tag 7224).*

ODETTE STANDARD					Adiant IMPLEMENTATION		
TAG	DATA ELEMENT NAME	ST	FT	SP	ST	FT	Adiant REMARKS
7102	Shipping Marks	M	an..17	+			
	<u>QUANTITY IN PACKAGE</u>	C					
6853	Quantity of Articles in Package	M	n..10	:			
6410	Measure Unit Specifier <i>See ODDC 25. Default value = pieces.</i>	C	an..3	+			
	<u>WEIGHTS</u>	C					
6292	Gross Weight	C	n..11	:			
6160	Net Weight	C	n..11	:			
6410	Measure Unit Specifier <i>See ODDC 25. Default value = kilos.</i>	C	an..3	+			
2837	Date of Production, coded <i>See ODDC 2.</i>	C	n6	'			

## GIN GOODS IDENTITY NUMBER

ODETTE status : Conditional      Adient status : **Not used**  
 Level : 3      Occurrences : Several per TCO segment

*Conditional and repeatable segment which gives unique identity numbers of individual items with the same article numbers: an example being serial numbers for identical engines. The GIN segment can be used whether or not the TCO segment is used. If the TCO segment is used the serial numbers in the following GIN segment(s) relate to articles contained in the package type detailed in the TCO segment. If the TCO segment is not used, the serial numbers in the GIN segment(s) relate to the article described in the preceding ARD segment.  
**The GIN segment is not used in the Despatch Advice message exchanged with Adient.***

ODETTE STANDARD					Adient IMPLEMENTATION		
TAG	DATA ELEMENT NAME	ST	FT	SP	ST	FT	Adient REMARKS
	<u>IDENTITY NUMBERS</u>	M					
7402	Identity Number	M	an..35	:			
7402	Identity Number	C	an..35	:			
7402	Identity Number	C	an..35	:			
7402	Identity Number	C	an..35	:			
7402	Identity Number	C	an..35	:			
7402	Identity Number	C	an..35	:			
7402	Identity Number	C	an..35	:			
7402	Identity Number	C	an..35	:			
7402	Identity Number	C	an..35	:			
7402	Identity Number	C	an..35	'			

## DGD DANGEROUS GOODS DETAILS

ODETTE status : Conditional      Adient status : **Not used**  
 Level : 0      Occurrences : One per message

*Conditional, single occurrence segment used to give details required if the article (or its constituent parts) identified in the preceding ARD segment is classified as dangerous. The information to be given will depend on the method of transport and the nature of the dangerous good, and is defined by various international agreements which cover the movement of hazardous material, and the conditions for use of this segment comply with rules given within the UNTDED.*

**The DGD segment is not used in the Despatch Advice message exchanged with Adient.**

ODETTE STANDARD					Adient IMPLEMENTATION		
TAG	DATA ELEMENT NAME	ST	FT	SP	ST	FT	Adient REMARKS
	<u>TECHNICAL NAME</u>	C					
7254	Dangerous Goods Technical Name	M	an..26	:			
7254	Dangerous Goods Technical Name	C	an..26	:			
7254	Dangerous Goods Technical Name	C	an..26	:			
7254	Dangerous Goods Technical Name	C	an..26	:			
7254	Dangerous Goods Technical Name	C	an..26	+			
7182	ADR/RID Class Number	C	n..2	+			
7124	UNDG Number	C	n4	+			
	<u>IMDG CLASS AND CODE</u>	C					
7416	IMDG Class Number	M	an..4	:			
7380	IMDG Code Page Number	C	n..6	+			
	<u>DANGEROUS GOODS NET QUANTITY</u>	C					
6420	Dangerous Goods Net Quantity	M	n..8	:			
6410	Measure Unit Specifier See ODDC 25.	C	an..3	+			
7088	Dangerous Goods Flashpoint	C	an..8	+			
	<u>ADDITIONAL INFORMATION</u>	C					
7488	Dangerous Goods Additional Information	M	an..26	:			
7488	Dangerous Goods Additional Information	C	an..26	:			
7488	Dangerous Goods Additional Information	C	an..26	:			
7488	Dangerous Goods Additional Information	C	an..26	:			
7488	Dangerous Goods Additional Information	C	an..26	+			
	<u>DECLARATION</u>	C					
4020	Declaration	M	an..35	:			
4020	Declaration	C	an..35	:			
4020	Declaration	C	an..35	:			
4020	Declaration	C	an..35	:			
4020	Declaration	C	an..35	:			

## PVT WEIGHT AND VOLUME TOTALS

ODETTE status : Conditional      Adiant status : Conditional  
 Level : 0      Occurrences : One per message  
*Conditional, single occurrence segment which contains the total weight and cube of the consignment.*

ODETTE STANDARD					Adiant IMPLEMENTATION		
TAG	DATA ELEMENT NAME	ST	FT	SP	ST	FT	Adiant REMARKS
	<u>WEIGHT</u>	M					
6012	Consignment Gross Weight	M	n..12	:			
6410	Measure Unit Specifier <i>Default value : kilos. See ODDC 25.</i>	C	an..3	+			
6306	Vehicle Capacity Used	C	n..4	+			
	<u>CUBE</u>	C					
6422	Consignment Cube	M	n..9	:			
6410	Measure Unit Specifier <i>Default value : cubic metres. See ODDC 25.</i>	C	an..3	+			

### EXAMPLE

**PVT +4652:KGM++0:KGM**

The example of a PVT segment indicates that the Weight of the whole shipment id 4652 KGM.

## IDD CUSTOMS INFORMATION

ODETTE status : Conditional Adient status : **Not used**  
 Level : 0 Occurrences : One per message

*Conditional, single occurrence segment used in the case of international consignments and which (if used in conjunction with the DAI segment) provides useful information for taking preliminary steps towards customs clearance.*

**The IDD segment is not used in the Despatch Advice message exchanged with Adient.**

ODETTE STANDARD					BGE IMPLEMENTATION		
TAG	DATA ELEMENT NAME	ST	FT	SP	ST	FT	BGE REMARKS
6345	Currency, coded See ODDC 7.	M	a3	+			
3816	Local Customs Office	M	an..17	+			
	<u>REQUESTED ROUTING</u> See ODDC 11.	C					
3106	Customs Office of Transit	M	an..17	:			
3106	Customs Office of Transit	C	an..17	:			
3106	Customs Office of Transit	C	an..17	:			
3106	Customs Office of Transit	C	an..17	:			
3106	Customs Office of Transit	C	an..17	+			
	<u>FREIGHT FORWARDER</u>	C					
3171	Freight Forwarder, coded See ODDC 20.	C	an..20	:			
3036	Party Name	C	an..35	:			
3124	Name and Address Line	C	an..35	:			
3124	Name and Address Line	C	an..35	:			
3124	Name and Address Line	C	an..35	:			
3124	Name and Address Line	C	an..35	:			
3296	Internal Id.No. allocated to a Trading Partner	C	an..17	+			
8453	Nationality of Means of Transport, coded See ODDC 6.	C	a2	+			
8281	Transport Ownership, coded See ODDC 14.	C	a2	+			
5290	Freight Cost	C	n..11	+			
	<u>DEDUCTED AMOUNT</u>	C					
5020	Deducted Amount (Customs)	M	n..15	:			
6345	Currency, coded Mandatory if differs from first currency. See ODDC 7	C	a3	+			
	<u>PACKING COSTS</u>	C					
5446	Packing Costs Total value for the consignment.	M	n..15	:			
6345	Currency, coded Mandatory if differs from first currency. See ODDC 7	C	a3	+			
1426	Goods Declaration Number (Customs)	C	an..17	'			

## DAN DOCUMENT REFERENCES

ODETTE status : Conditional  
 Level : 1

Adiant status : Conditional  
 Occurrences : One per message

*Conditional, repeatable segment allowing the identification of documentation related to the Despatch Advice message as a whole.*

ODETTE STANDARD					Adiant IMPLEMENTATION		
TAG	DATA ELEMENT NAME	ST	FT	SP	ST	FT	Adiant REMARKS
1001	<u>DOCUMENT NAME</u> Document Name, coded See ODDC 1.	M C	n3	:			
1000	Document Name	C	an..35	+			
1004	Document number	M	an..17	+			
	<u>DOCUMENT DATE AND TIME</u> See ODDC 2.	M					
2007 2002	Document Date, coded Time	M C	n6 n4	: ,			

## FTX FREE TEXT

ODETTE status : Conditional      Adiant status : **not-used**  
 Level : 1      Occurrences : Several per message  
*Conditional, repeatable segment allowing the transmission of clear text format related to the entire message. The FTX segment is not used in the Despatch Advice message exchanged with Adiant.*

ODETTE STANDARD					Adiant IMPLEMENTATION		
TAG	DATA ELEMENT NAME	ST	FT	SP	ST	FT	Adiant REMARKS
	<u>FREE TEXT</u>	M			M		
4440	Free Text	M	an..70	:	M	an..40	Free Text
4440	Free Text	C	an..70	:	C	an..40	Free Text
4440	Free Text	C	an..70	'	C	an..40	Free Text

## 2.1.4 Code Description

### SEGMENT DTR - DATA ON TRANSPORT

#### **8212 - Identification of the Means of Transport**

Code to further specify the meaning of the value entered in the following field, i.e. 8164 - Trailer Number.

*Source* : Codes assigned by the VDA Organisation

01	License number.
06	Piece good number.
07	Express good number.
08	Rail-car number.
09	Mail-package number.
10	Flight no. and/or air freight bill no..
11	Name of ship.

### SEGMENT DET - DELIVERY TERMS

#### **8067 - Mode of Transport, coded**

Identification of the mode of transport used for the delivery of the material specified in the Despatch Advice.

*Source* : Codes assigned by the VDA Organisation

01	Sub-supplier's truck.
02	Customer's truck.
03	Shipping Agent's truck.
30	Shipping Agent's truck.
04	Railway company's truck.
05	Supplier's own truck.
06	Rail freight.
07	Rail express.
08	Rail wagon.
09	Mail delivery.
10	Airfreight.
11	Seafreight.

#### **4052 - Terms of Delivery**

Code indicating which Party will pay the freight costs and to what extend.

*Source* : Codes assigned by the VDA Organisation.

01	Ex works.
02	Free place of destination.
03	Free House.
04	Free German border.
05	Free receiving freight forwarder.
99	Special arrangement (individual agreement).
	No Special agreement



SEGMENT ARD - ARTICLE DETAILS

**6410 - Measure Unit Specifier**

Indication of the unit of measurement in which weight (mass), capacity, length, area, volume or other quantity is expressed.

*Source : ISO-CODE - only a limited number of values are indicated in this list. If other, less commonly used, code values are required please contact your local EDI Co-ordinator.*

GRM	Gram.
KGM	Kilogram
KMT	Kilometre
LTR	Litre
MTR	Metre
MMT	Millimetre
MTK	Square metre
PCE	Piece/decimal piece
MTQ	Cubic metre.
TNE	Ton.

**3239 - Country of Origin, coded**

Code allowing the identification of the country from where material is originating. Code value may be required for customs purposes when goods are originating from outside the European Union.

**Note :** the following list contains only the most commonly used codes. Any additional code value can be obtained from the National ODETTE organisation (see attachment 2 of this documentation set).

*Source : "Alpha-2" code as per ISO 3166 standard.*

**EUROPEAN UNION**

AT	Austria
BE	Belgium
DE	Germany
DK	Denmark
ES	Spain
FI	Finland
FR	France
GB	United Kingdom
GR	Greece
IE	Ireland
IT	Italy
LU	Luxembourg
NL	Netherlands
PT	Portugal
SE	Sweden

**OTHERS**

CA	Canada
CH	Switzerland
CZ	Czech Republic
HU	Hungary
NO	Norway
PL	Poland
RO	Romania
SI	Slovenia
SK	Slovakia
TN	Tunisia
TR	Turkey
US	United States

## 2.1.5 Odette Aviexp Version 3 Example

```
UNB+UNOA:1+15685039810001::+13451485140001::+001027:0733+001027073319'  
UNH+1+AVIEXP:3::OD'  
MID+17386+001027:0700'  
CDT+0931568503981:Adient ROTH:USINE DE STRASBOURG:6, RUE  
SCHERTZ:67100 STRASBOURG:FRANCE:+:~::~+FR+:33(0)388405151::~33(0)  
)388396240'  
SDT+0931568503981:Adient ROTH:USINE DE STRASBOURG:6, RUE  
SCHERTZ:67100 STRASBOURG:FRANCE:F18001N+++FR+FR+:33(0)388405151:  
::33(0)388396240'  
CSG+34301:Adient AUTOMOTIVE:S.A.:Z.A. DE MARCEAUX:78710 ROSNY SUR  
SEINE:FRANCE:+:~::~+~::~+FR+ARIANE ROSSI:01 64 86 65 3 8::~:01 64 86 65  
10'  
DTR+17386+612SG88 (409):17386+8888888:FOURNISSEUR TRANSPORT DEPART::~  
:FRANCE:+17386++0010271800'  
DET+30+++0004652'  
ARD+8502467:CA12467:CAV X65 NU +144:PCE+ROT20047:000000+FR:FRANCE'  
ADP+1:PCE+++++10'  
DAI+1:KGM+0+5:EUR'  
ARD+8502468:DA10468:DAV X65 NU +72:PCE+ROT20047:000000+FR:FRANCE'  
ADP+1:PCE+++++11'  
DAI+1:KGM+0+4:EUR'  
ARD+8503412:DA13412:DAV AIR BAG X65 NU +72:PCE+ROT20047:000000+FR:FRANCE'  
ADP+1:PCE+++++12'  
DAI+1:KGM+0+4:EUR'  
ARD+8502471:CR10471:CAR 1/1 X65 NU +32:PCE+ROT20047:000000+FR:FRANCE'  
ADP+1:PCE+++++13'  
DAI+4:KGM+0+11:EUR'  
ARD+8502472:DR10472:DAR 1/1 X65 NU +36:PCE+ROT20047:000000+FR:FRANCE'  
ADP+1:PCE+++++14'  
DAI+3:KGM+0+8:EUR'  
ARD+2000256:CL02474:COL DAR 1/3-2/3 X65 NUE  
+36:PCE+ROT20047:000000+FR:FRANCE'  
ADP+1:PCE+++++19'  
DAI+2:KGM+0+9:EUR'  
ARD+8503090:DA14090:DAV MOUSSE NUE X06 PH2  
+128:PCE+ROT20072:000000+FR:FRANCE'  
ADP+1:PCE+++++2'  
DAI+1:KGM+0+4:EUR'  
ARD+2000257:CL02473:COL.CAR 1/3 2/3 X65 NUE  
+32:PCE+ROT20047:000000+FR:FRANCE'  
ADP+1:PCE+++++20'  
DAI+4:KGM+0+12:EUR'  
ARD+8503899:CA11899:CAV X06 PH3 BASE  
+192:PCE+ROT20072:000000+FR:FRANCE'  
ADP+1:PCE+++++21'  
DAI+1:KGM+0+6:EUR'  
ARD+8502803:CR12803:CAR 1/1 X06 PH2  
+72:PCE+ROT20072:000000+FR:FRANCE'  
ADP+1:PCE+++++5'  
DAI+2:KGM+0+8:EUR'
```

---

ARD+8600726:CL02801:COL DAR G/D X06 PH2 NU  
+112:PCE+ROT20072:000000+FR:FRANCE'  
ADP+1:PCE+++++9'  
DAI+1:KGM+0+7:EUR'  
PVT+4652:KGM++0:KGM'  
UNT+42+1'  
UNZ+1+001027073319'

---

## Document Revision

Version	Date	Description	Author
1.0	2000-09-07	Creation	Dirk Mueller
2.0	2000-10-31	Enhancement	Dirk Mueller
2.1	2003-02-04	Enabled ARD 7008 2nd Group	Andreas Hausdorf
2.2	2003-05-02	Changed DST 6806 to ODETTE Standard	Marc Tillmann
2.3	2003-07-02	Made UNB 0007-1 conditional	Andreas Hausdorf
2.5	2007-10-02	Revision and change of CI	Marc Tillmann
2.6	2009-04-14	Changed ARD:6410	Hans-Ulrich Berger
2.7	2016-Aug-10	Modified JCI or Johnson Controls references to Adient. Removed JCI logo and added Adient logo.	Hemant Bhardwaj
2.8	2021-May-11	Page 23 TCO for Adient made mandatory	Darlene Pongallo
2.9	2022-Mar-22	Updated MID 1004 and NCO 7102 remarks	Gomichan Paul George