



Automotive Experience Division

EDI Implementation Guideline

Delivery Just In Time (DELJIT)

Used with JIS Suppliers

Table of Contents

Document Change Log	4
Requirement Designations in Guide	4
AD04BENVDELJIT Adient D04B DELJIT Envelope Structure.....	5
Segment: UNA Service String advice	6
Segment: UNB Interchange Header	7
Segment: UNG Functional Group Header	9
Segment: UNE Functional Group Trailer	11
Segment: UNZ Interchange Trailer	12
DELJIT Delivery Just-in-Sequence Message	13
Introduction	13
Branching Diagram.....	13
Loop/Segment Table	16
Segment: UNH Message Header	19
Segment: BGM Beginning of Message	21
Segment: DTM Date/Time/Period - (137) - Message Creation Date/Time	22
Segment: RFF Reference - (AAN) - Adient Internal SAP JIT Call Header.....	24
Segment: NAD Name and Address - (BY) - Buyer	26
Segment: NAD Name and Address - (SF) - Ship-From	30
Segment: NAD Name and Address - (ST) - Ship To.....	34
Segment: SEQ Sequence Details - (39) - Adient Internal Sequence Number	38
Segment: DTM Date/Time/Period - (206) - Date/time for goods receipt.....	39
Segment: GIR Related Identification Numbers - (1) - Running Doc Number/Running Number	40
Segment: GIR Related Identification Numbers - (4) - JIT Call Number/Vehicle Identity Number.....	42
Segment: LIN Line Item	46
Segment: PIA Additional Product Id - (1) Supplier's Item Number	48
Segment: RFF Reference - (ON) - Purchase Order Number	51
Segment: LOC Place/Location Identification - (11) - Unloading Point	53
Segment: LOC Place/Location Identification - (159) - Adient Point of FIT	56
Segment: QTY Quantity - (131) - Delivery Quantity	59

Segment: UNT Message Trailer 60
DELJIT Just-inTime Delivery Schedule Example 61

Document Change Log

Version	Date	Description	Author
1.0	2014-10-21	Creation	Laurel Kreimes
2.0	2014-12-1	<p>Modifications:</p> <p>BGM_C002_1001 – modified code 240 to be 242 and added code 225</p> <p>BGM_C106_1004 – added note that JIS schedule number will be date/time stamp in format YYYYMMDDHHMMSS</p> <p>SG1_RFF(AAN) segment removed</p> <p>NAD(BY & ST)_02_01_3039 – added note to clarify information sent</p> <p>SG2_NAD(ST)_LOC segment added for JCI unloading point</p> <p>SG4_GIR(1) segment with Running Document Number and Running Number removed</p> <p>SG4_SG7_SG8_RFF(AAN) segment added at detail level</p> <p>SG4_SG7_SG10_LOC(11) segment removed</p> <p>SG4_SG7_SG12_QTY_01_6060 – removed “Value including 3 decimal places” from the note</p> <p>References to “JCI Internal SAP JIT Call Header” modified to be “JCI Internal SAP JIS Call Header”</p> <p>References to “JIT Call Number” modified to be “JIS Call Number”</p>	Laurel Kreimes
2.1	2014-12-08	<p>Modifications:</p> <p>Removed note in version 2.0 Change Log to having adding code 9 for SG4_SEQ_1229</p> <p>SG4_SG7_LIN data example – corrected part number to be in format XXXXXXX-XX, e.g. 1234561-01</p> <p>DELJIT Data Example at end of guide – modified item number in each LIN segment to be in format XXXXXXX-XX, e.g. 1234561-01</p>	
2.2	2016-10-01	Modified JCI or Johnson Controls references to be Adient. Removed Johnson Controls logo and added Adient logo.	Laurie Kreimes

Requirement Designations in Guide

- C = Conditional
- M = Required
- R = Required

AD04BENVDELJIT Adient D04B DELJIT Envelope Structure

Introduction:

The Service String Advice, UNA, and the service segments UNB to UNZ shall appear in the below stated order in an interchange. There may be several functional groups or messages within an interchange and several messages in a functional group. A message consists of segments.

<u>Adient Attributes</u>	<u>Pos. No.</u>	<u>Seg. ID</u>	<u>Name</u>	<u>Base Attributes</u>	<u>Max.Use</u>	<u>Group Repeat</u>	<u>Notes and Comments</u>
	0005	UNA	Service String advice	C	1		
M	0010	UNB	Interchange Header	M	1		
	0020	UNG	Functional Group Header	C	1		
	0030	UNE	Functional Group Trailer	C	1		
M	0040	UNZ	Interchange Trailer	M	1		

Segment: **UNA** Service String advice
Position: 0005
Group:
Level: 0
Usage: Conditional (Optional)
Max Use: 1
Purpose: To define the characters selected for use as delimiters and indicators in the rest of the interchange that follows:

The specifications in the Service string advice take precedence over the specifications for delimiters etc. in segment UNB. See clause 4.

When transmitted, the Service string advice must appear immediately before the Interchange Header (UNB) segment and begin with the upper case characters UNA immediately followed by the six characters selected by the sender to indicate, in sequence, the following functions:

Dependency Notes:
Semantic Notes:
Comments:
Notes:

Notes to Trading Partner

The UNA segment is optional in an EDIFACT interchange. The specifications in the UNA segment define the characters used as separators and indicators for the interchange. This segment will only be sent if the interchange contains non-standard separator characters.

Data Examples

UNA:+.? '

Data Element Summary

<u>User</u>	<u>Data</u>	<u>Component</u>	<u>Attributes</u>
<u>Attribute</u>	<u>Element</u>	<u>Element</u> <u>Name</u>	
M	UNA1	COMPONENT DATA ELEMENT SEPARATOR	M an1
M	UNA2	DATA ELEMENT SEPARATOR	M an1
M	UNA3	DECIMAL NOTATION	M an1
		Notes to Trading Partner:	
		Comma or full stop	
M	UNA4	RELEASE INDICATOR	M an1
		Notes to Trading Partner:	
		If not used, insert space character	
M	UNA5	RESERVED FOR FUTURE USE	M an1
		Notes to Trading Partner:	
		Insert space character	
M	UNA6	SEGMENT TERMINATOR	M an1

Segment: **UNB Interchange Header**
Position: 0010
Group:
Level: 0
Usage: Mandatory
Max Use: 1
Purpose: To start, identify and specify an interchange
Dependency Notes:
Semantic Notes:
Comments:
Business Rules: Variable Name: UNB
Notes: **Data Examples**

UNB+UNOC:3+SENDER-ID+RECEIVER-ID+141129:0951+1++DELJITJIS'

Data Element Summary

<u>User</u>	<u>Data</u>	<u>Component</u>	<u>Attributes</u>
<u>Attribute</u>	<u>Element</u>	<u>Element Name</u>	
M	S001	SYNTAX IDENTIFIER	M
		Identification of the agency controlling the syntax and indication of syntax level.	
M		0001 Syntax identifier	M a4
		Coded identification of the agency controlling a syntax and syntax level used in an interchange. Refer to D.96A Data Element Dictionary for acceptable code values.	
M		0002 Syntax version number	M n1
		Version number of the syntax identified in the syntax identifier (0001).	
M	S002	INTERCHANGE SENDER	M
		Identification of the sender of the interchange.	
M		0004 Sender identification	M an..35
		Name or coded representation of the sender of a data interchange. Notes to Trading Partner: The sender identification can be the company EAN or DUNS code or a company-specific code.	
		0007 Partner identification code qualifier	C an..4
		Qualifier referring to the source of codes for the identifiers of interchanging partners. Notes to Trading Partner: Qualifiers to be determined by trading partner relationship. Refer to D.96A Data Element Dictionary for acceptable code values.	
		0008 Address for reverse routing	C an..14
		Address specified by the sender of an interchange to be included by the recipient in the response interchanges to facilitate internal routing.	
M	S003	INTERCHANGE RECIPIENT	M
		Identification of the recipient of the interchange.	
M		0010 Recipient identification	M an..35
		Name or coded representation of the recipient of a data interchange. Notes to Trading Partner: The receiver identification can be the company EAN or DUNS code or a company specific code.	
		0007 Partner identification code qualifier	C an..4

			Qualifier referring to the source of codes for the identifiers of interchanging partners.
			Notes to Trading Partner:
			Qualifiers to be determined by trading partner relationship.
			Refer to D.96A Data Element Dictionary for acceptable code values.
		0014	Routing address C an..14
			Address specified by the recipient of an interchange to be included by the sender and used by the recipient for routing of received interchanges inside his organization.
M	S004		DATE AND TIME OF PREPARATION M
			Date and time of preparation of the interchange.
M		0017	Date of preparation M n6
			Local date when an interchange or a functional group was prepared.
			Notes to Trading Partner:
			Format: YYMMDD
M		0019	Time of preparation M n4
			Local time of day when an interchange or a functional group was prepared.
			Notes to Trading Partner:
			Format: HHMM
M	0020		INTERCHANGE CONTROL REFERENCE M an..14
			Unique reference assigned by the sender to an interchange.
Not Used	S005		RECIPIENTS REFERENCE PASSWORD C
			Reference or password as agreed between the communicating partners.
Not Used		0022	Recipient reference/password M an..14
			Unique reference assigned by the recipient to the data interchange or a password to the recipient's system or to a third party network as specified in the partners interchange agreement.
Not Used		0025	Recipient reference/password qualifier C an2
			Qualifier for the recipient's reference or password.
			Refer to D.96A Data Element Dictionary for acceptable code values.
Must Use	0026		APPLICATION REFERENCE C an..14
			Identification of the application area assigned by the sender, to which the messages in the interchange relate e.g. the message identifier if all the messages in the interchange are of the same type.
Not Used	0029		PROCESSING PRIORITY CODE C a1
			Code determined by the sender requesting processing priority for the interchange.
			Refer to D.96A Data Element Dictionary for acceptable code values.
Not Used	0031		ACKNOWLEDGEMENT REQUEST C n1
			Code determined by the sender for acknowledgement of the interchange.
			Refer to D.96A Data Element Dictionary for acceptable code values.
Not Used	0032		COMMUNICATIONS AGREEMENT ID C an..35
			Identification by name or code of the type of agreement under which the interchange takes place.
	0035		TEST INDICATOR C n1
			Indication that the interchange is a test.
			Refer to D.96A Data Element Dictionary for acceptable code values.

Segment: **UNG Functional Group Header**
Position: 0020
Group:
Level: 0
Usage: Conditional (Optional)
Max Use: 1
Purpose: To head, identify and specify a Functional Group
Dependency Notes:
Semantic Notes:
Comments:
Business Rules: Variable Name: UNG
Notes: **Notes to Trading Partner**

This segment is optional and is used to send additional sender/receiver ID information.

Data Examples

UNG+DELJIT+SNDRGRPID+RCVRGRPID+141129:0951+1+UN+D:04B'

Data Element Summary

<u>User</u>	<u>Data</u>	<u>Component</u>	<u>Name</u>	<u>Attributes</u>
<u>Attribute</u>	<u>Element</u>	<u>Element</u>		
M	0038		FUNCTIONAL GROUP IDENTIFICATION	M an..6
			Identification of the one type of messages in a functional group.	
M	S006		APPLICATION SENDER IDENTIFICATION	M
			Identification of the sender's division, department etc. from which a group of messages is sent.	
M		0040	Application sender identification	M an..35
			Name or code identifying the originating division, department etc. within the sender's organization.	
			Notes to Trading Partner:	
			The sender identification can be the company EAN or DUNS code or a company specific code.	
		0007	Partner identification code qualifier	C an..4
			Qualifier referring to the source of codes for the identifiers of interchanging partners.	
			Notes to Trading Partner:	
			Qualifiers to be determined by trading partner relationship.	
			Refer to D.96A Data Element Dictionary for acceptable code values.	
M	S007		APPLICATION RECIPIENTS IDENTIFICATION	M
			Identification of the recipient's division, department etc. for which a group of messages is intended.	
M		0044	Application recipient's identification	M an..35
			Name or code identifying the division, department etc. within the recipient's organization for which the group of messages is intended.	
			Notes to Trading Partner:	
			The receiver identification can be the company EAN or DUNS code or a company specific code.	

		0007	Partner identification code qualifier	C an..4
			Qualifier referring to the source of codes for the identifiers of interchanging partners.	
			Notes to Trading Partner:	
			Qualifiers to be determined by trading partner relationship.	
			Refer to D.96A Data Element Dictionary for acceptable code values.	
M	S004		DATE AND TIME OF PREPARATION	M
			Date and time of preparation of the interchange.	
M		0017	Date of preparation	M n6
			Local date when an interchange or a functional group was prepared.	
			Notes to Trading Partner:	
			Format: YYMMDD	
M		0019	Time of preparation	M n4
			Local time of day when an interchange or a functional group was prepared.	
			Notes to Trading Partner:	
			Format: HHMM	
M	0048		FUNCTIONAL GROUP REFERENCE NUMBER	M an..14
			Reference number for the functional group assigned by and unique within the sender's division, department etc.	
M	0051		CONTROLLING AGENCY	M an..2
			Code identifying the agency controlling the specification, maintenance and publication of the message type.	
			Refer to D.96A Data Element Dictionary for acceptable code values.	
M	S008		MESSAGE VERSION	M
			Specification of the type of messages in the functional group.	
M		0052	Message type version number	M an..3
			Version number of a message type.	
M		0054	Message type release number	M an..3
			Release number within the current message type version number (0052).	
Not Used		0057	Association assigned code	C an..6
			Code, assigned by the association responsible for the design and maintenance of the message type concerned, which further identifies the message.	
Not Used	0058		APPLICATION PASSWORD	C an..14
			Password to the recipient's division, department or sectional system.	

Segment: **UNE Functional Group Trailer**
Position: 0030
Group:
Level: 0
Usage: Conditional (Optional)
Max Use: 1
Purpose: To end and check the completeness of a Functional Group
Dependency Notes:
Semantic Notes:
Comments:
Notes:

Data Examples

UNE+1+1'

Data Element Summary

<u>User Attribute</u>	<u>Data Element</u>	<u>Component Element</u>	<u>Name</u>	<u>Attributes</u>
M	0060		NUMBER OF MESSAGES	M n..6
			A count of the number of messages in a functional group.	
			Notes to Trading Partner:	
			This field will contain the count of the number of messages present in the data file.	
M	0048		FUNCTIONAL GROUP REFERENCE NUMBER	M an..14
			Reference number for the functional group assigned by and unique within the sender's division, department etc.	
			Notes to Trading Partner:	
			This value will match what is sent in the UNG_0048 element.	

Segment: **UNZ Interchange Trailer**
Position: 0040
Group:
Level: 0
Usage: Mandatory
Max Use: 1
Purpose: To end and check the completeness of an interchange.
Dependency Notes:
Semantic Notes:
Comments:
Notes:

Data Examples

UNZ+2+1'

Data Element Summary

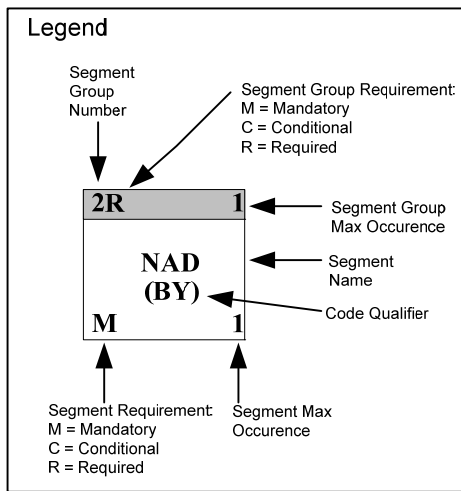
<u>User Attribute</u>	<u>Data Element</u>	<u>Component Element</u>	<u>Name</u>	<u>Attributes</u>
M	0036		INTERCHANGE CONTROL COUNT	M n..6
			Count either of the number of messages or, if used, of the number of functional groups in an interchange.	
			Notes to Trading Partner:	
			This field will contain the count of the number of interchanges present in the data file.	
M	0020		INTERCHANGE CONTROL REFERENCE	M an..14
			Unique reference assigned by the sender to an interchange.	
			Notes to Trading Partner:	
			This value will match what is sent in the UNB_0020 element.	

DELJIT Delivery Just-in-Sequence Message

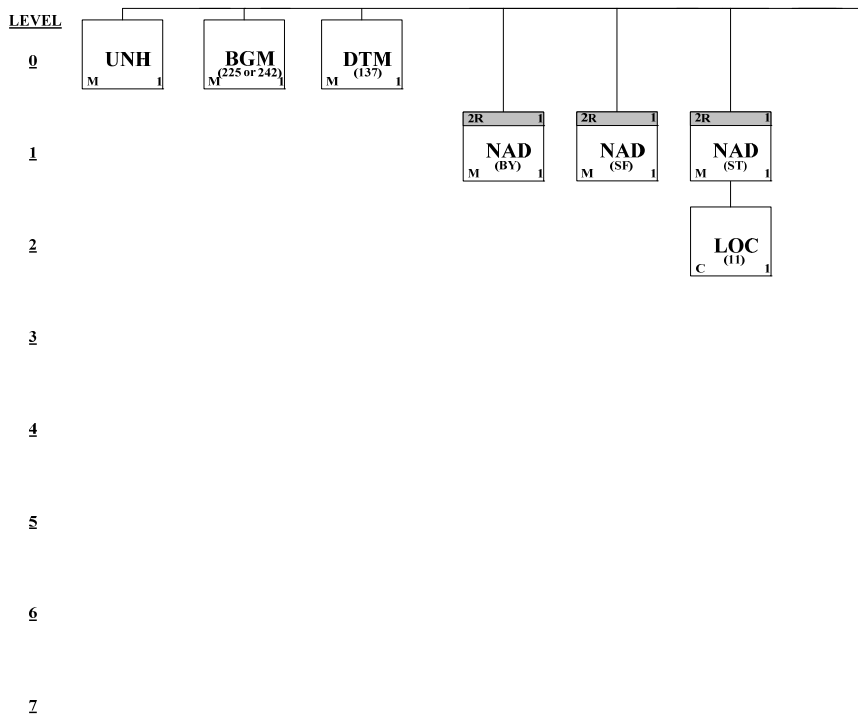
Introduction

A message from buyer to supplier giving precise delivery sequence and Just In Time schedule requirements to the supplier, and is intended to supplement the Delivery Schedule Message (DELFOR).

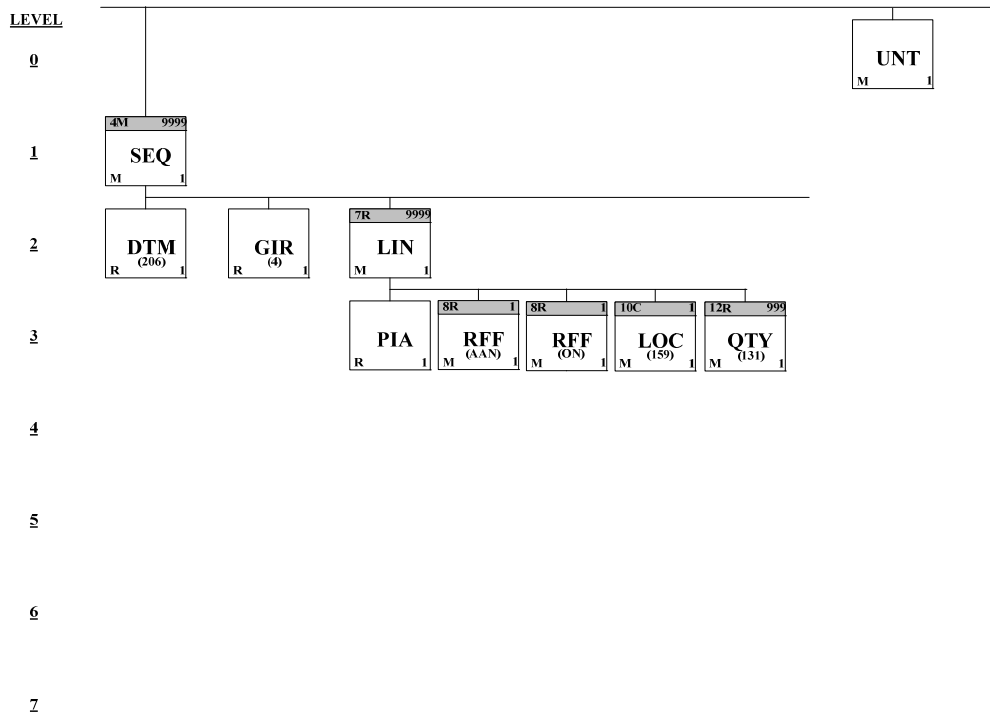
Branching Diagram



Branching Diagram (continued)



Branching Diagram (continued)



Loop/Segment Table

Heading Section:

<u>Adiant Attributes</u>	<u>Pos. No.</u>	<u>Seg. ID</u>	<u>Name</u>	<u>Base Attributes</u>	<u>Max.Use</u>	<u>Group Repeat</u>	<u>Notes and Comments</u>
M	0010	UNH	Message Header	M	1		
M	0020	BGM	Beginning of Message	M	1		
M	0030	DTM	Date/Time/Period - (137) - Message Creation Date/Time	M	1		
Not Used	0040	FTX	Free Text	C	1		
Must Use	0050		Segment Group 1: RFF-DTM	C		1	
M	0060	RFF	Reference - (AAN) - Adiant Internal SAP JIT Call Header	M	1		
Not Used	0070	DTM	Date/Time/Period	C	1		
Must Use	0080		Segment Group 2: NAD-LOC-FTX-SG3	C		1	
M	0090	NAD	Name and Address - (BY) - Buyer	M	1		
Not Used	0100	LOC	Place/Location Identification	C	10		
Not Used	0110	FTX	Free Text	C	5		
Not Used	0120		Segment Group 3: CTA-COM	C		5	
Not Used	0130	CTA	Contact Information	M	1		
Not Used	0140	COM	Communication Contact	C	5		
Must Use	0080		Segment Group 2: NAD-LOC-FTX-SG3	C		1	
M	0090	NAD	Name and Address - (SF) - Ship-From	M	1		
Not Used	0100	LOC	Place/Location Identification	C	10		
Not Used	0110	FTX	Free Text	C	5		
Not Used	0120		Segment Group 3: CTA-COM	C		5	
Not Used	0130	CTA	Contact Information	M	1		
Not Used	0140	COM	Communication Contact	C	5		
Must Use	0080		Segment Group 2: NAD-LOC-FTX-SG3	C		1	
M	0090	NAD	Name and Address - (ST) - Ship To	M	1		
Not Used	0100	LOC	Place/Location Identification	C	10		
Not Used	0110	FTX	Free Text	C	5		
Not Used	0120		Segment Group 3: CTA-COM	C		5	
Not Used	0130	CTA	Contact Information	M	1		
Not Used	0140	COM	Communication Contact	C	5		

Detail Section:

<u>Adiant Attributes</u>	<u>Pos. No.</u>	<u>Seg. ID</u>	<u>Name</u>	<u>Base Attributes</u>	<u>Max.Use</u>	<u>Group Repeat</u>	<u>Notes and Comments</u>
M	0150		Segment Group 4: SEQ-DTM-GIR-LOC-SG5-SG7	M		9999	
M	0160	SEQ	Sequence Details - (39) - Adiant Internal Sequence Number	M	1		
Must Use	0170	DTM	Date/Time/Period - (206) - Date/time for goods receipt	C	1		
Must Use	0180	GIR	Related Identification Numbers - (1) - Running Doc Number/Running Number	C	1		
Must Use	0180	GIR	Related Identification Numbers - (4) - JIT Call Number/Vehicle Identity Number	C	1		



Not Used	0190	LOC	Place/Location Identification	C	5
Not Used	0200		Segment Group 5: PAC-SG6	C	5
Not Used	0210	PAC	Package	M	1
Not Used	0220		Segment Group 6: PCI-GIN	C	999
Not Used	0230	PCI	Package Identification	M	1
Not Used	0240	GIN	Goods Identity Number	C	10
Must Use	0250		Segment Group 7: LIN-PIA-IMD-ALI-GIR-FTX-PAC-DTM-SG8-SG9-SG10-SG12-SG14	C	9999
M	0260	LIN	Line Item	M	1
Must Use	0270	PIA	Additional Product Id - (1) Supplier's Item Number	C	10
Not Used	0280	IMD	Item Description	C	99
Not Used	0290	ALI	Additional Information	C	5
Not Used	0300	GIR	Related Identification Numbers	C	5
Not Used	0310	FTX	Free Text	C	5
Not Used	0320	PAC	Package	C	99
Not Used	0330	DTM	Date/Time/Period	C	9
Must Use	0340		Segment Group 8: RFF-DTM	C	1
M	0350	RFF	Reference - (ON) - Purchase Order Number	M	1
Not Used	0360	DTM	Date/Time/Period	C	1
Not Used	0370		Segment Group 9: TDT-TMD	C	9
Not Used	0380	TDT	Transport Information	M	1
Not Used	0390	TMD	Transport Movement Details	C	1
	0400		Segment Group 10: LOC-SG11	C	1
M	0410	LOC	Place/Location Identification - (11) - Unloading Point	M	1
Not Used	0420		Segment Group 11: CTA-COM	C	5
Not Used	0430	CTA	Contact Information	M	1
Not Used	0440	COM	Communication Contact	C	5
	0400		Segment Group 10: LOC-SG11	C	1
M	0410	LOC	Place/Location Identification - (159) - Adiant Point of FIT	M	1
Not Used	0420		Segment Group 11: CTA-COM	C	5
Not Used	0430	CTA	Contact Information	M	1
Not Used	0440	COM	Communication Contact	C	5
Must Use	0450		Segment Group 12: QTY-SCC-DTM-SG13	C	999
M	0460	QTY	Quantity - (131) - Delivery Quantity	M	1
Not Used	0470	SCC	Scheduling Conditions	C	1
Not Used	0480	DTM	Date/Time/Period	C	9
Not Used	0490		Segment Group 13: RFF-DTM	C	99
Not Used	0500	RFF	Reference	M	1
Not Used	0510	DTM	Date/Time/Period	C	1
Not Used	0520		Segment Group 14: PRI-CUX-DTM	C	9
Not Used	0530	PRI	Price Details	M	1
Not Used	0540	CUX	Currencies	C	1
Not Used	0550	DTM	Date/Time/Period	C	9

Segment: **UNH** Message Header
Position: 0010
Group:
Level: 0
Usage: Mandatory
Max Use: 1
Purpose: A service segment starting and uniquely identifying a message. The message type code for the Delivery just in time message is DELJIT.
 Note: Delivery just in time messages conforming to this document must contain the following data in segment UNH, composite S009:
 Data element 0065 DELJIT 0052 D 0054 04B 0051 UN

Dependency Notes:

Semantic Notes:

Comments:

Business Rules: Variable Name: UNH1

Notes: **Data Examples**

UNH+1+DELJIT:D:04B:UN:GA0611+1'

Data Element Summary

User	Data	Component	Attributes	
<u>Attribute</u>	<u>Element</u>	<u>Element</u>	<u>Name</u>	<u>Attributes</u>
M	0062		MESSAGE REFERENCE NUMBER	M 1 an..14
			Unique message reference assigned by the sender.	
M	S009		MESSAGE IDENTIFIER	M 1
			Identification of the type, version etc. of the message being interchanged.	
M		0065	Message type identifier	M an..6
			Code identifying a type of message and assigned by its controlling agency.	
			DELJIT Delivery just in time message	
			A code to identify the delivery just in time message.	
M		0052	Message type version number	M an..3
			Version number of a message type.	
			D Draft version/UN/EDIFACT Directory	
			Message approved and issued as a draft message (Valid for directories published after March 1993 and prior to March 1997). Message approved as a standard message (Valid for directories published after March 1997).	
M		0054	Message type release number	M an..3
			Release number within the current message type version number (0052).	
			04B Release 2004 - B	
M		0051	Controlling agency	M an..2
			Code identifying the agency controlling the specification, maintenance and publication of the message type.	
			UN UN/CEFACT	
			United Nations Centre for Trade Facilitation and Electronic Business (UN/CEFACT).	

		0057	Association assigned code	C	an..6
			Code, assigned by the association responsible for the design and maintenance of the message type concerned, which further identifies the message. GA0611 Joint Automotive Industry Forum DELJIT V1 (Revision 1)		
Must Use	0068		COMMON ACCESS REFERENCE	C	1 an..35
			Reference serving as a key to relate all subsequent transfers of data to the same business case or file. 1 GA0611 Revision 1		
Not Used	S010		STATUS OF THE TRANSFER	C	1
			Statement that the message is one in a sequence of transfers relating to the same topic.		
Not Used		0070	Sequence message transfer number	M	n..2
			Number assigned by the sender indicating that the message is an addition or change of a previously sent message relating to the same topic.		
Not Used		0073	First/last sequence message transfer indication	C	a1
			Indication used for the first and last message in a sequence of the same type of message relating to the same topic. Refer to D.04B Data Element Dictionary for acceptable code values.		

Segment: **BGM** Beginning of Message
Position: 0020
Group:
Level: 0
Usage: Mandatory
Max Use: 1
Purpose: A segment for unique identification of the document name and its number.
Dependency Notes:
Semantic Notes:
Comments:
Notes:

Data Examples

BGM+240::6+123+9'

Data Element Summary

<u>User</u>	<u>Data</u>	<u>Component</u>	<u>Name</u>	<u>Attributes</u>
<u>Attribute</u>	<u>Element</u>	<u>Element</u>		
Must Use	C002		DOCUMENT/MESSAGE NAME	C 1
			Identification of a type of document/message by code or name. Code preferred.	
Must Use		1001	Document name code	C an..3
			Code specifying the document name.	
			240 Delivery instructions	
			(1174) Document/message giving instruction regarding the delivery of goods.	
Not Used		1131	Code list identification code	C an..17
			Code identifying a user or association maintained code list.	
		3055	Code list responsible agency code	C an..3
			Code specifying the agency responsible for a code list.	
			6 UN/ECE (United Nations - Economic Commission for Europe)	
			United Nations Economic Commission for Europe.	
Not Used		1000	Document name	C an..35
			Name of a document.	
Must Use	C106		DOCUMENT/MESSAGE IDENTIFICATION	C 1
			Identification of a document/message by its number and eventually its version or revision.	
Must Use		1004	Document identifier	C an..35
			To identify a document.	
Not Used		1056	Version identifier	C an..9
			To identify a version.	
Not Used		1060	Revision identifier	C an..6
			To identify a revision.	
Must Use	1225		MESSAGE FUNCTION CODE	C 1 an..3
			Code indicating the function of the message.	
			9 Original	
			Initial transmission related to a given transaction.	
Not Used	4343		RESPONSE TYPE CODE	C 1 an..3
			Code specifying the type of acknowledgment required or transmitted.	
			Refer to D.04B Data Element Dictionary for acceptable code values.	

Segment: **DTM** **Date/Time/Period - (137) - Message Creation Date/Time**
Position: 0030
Group:
Level: 0
Usage: Mandatory
Max Use: 1
Purpose: A segment specifying the date and, when relevant, the time/period for delivery of that sequence, relating to the whole message. The DTM segment must be specified at least once to identify the Delivery Just In Time document date.
 The date/time/period segment within other Segment group should be used whenever the date/time/period requires to be logically related to another specified data item.

Dependency Notes:

Semantic Notes:

Comments:

Notes: **Data Examples**

DTM+137:201410130951:203'

Data Element Summary

<u>User</u>	<u>Data</u>	<u>Component</u>	<u>Name</u>	<u>Attributes</u>
<u>Attribute</u>	<u>Element</u>	<u>Element</u>		
M	C507		DATE/TIME/PERIOD Date and/or time, or period relevant to the specified date/time/period type.	M 1
M		2005	Date or time or period function code qualifier Code qualifying the function of a date, time or period. 137 Document/message date/time (2006) Date/time when a document/message is issued. This may include authentication.	M an..3
Must Use		2380	Date or time or period text The value of a date, a date and time, a time or of a period in a specified representation.	C an..35
Must Use		2379	Date or time or period format code Code specifying the representation of a date, time or period. 203 CCYYMMDDHHMM Calendar date including time with minutes: C=Century; Y=Year; M=Month; D=Day; H=Hour; M=Minutes.	C an..3

Group: **RFF** Segment Group 1: Reference -Adient Internal SAP JIT Call Header
Position: 0050
Group:
Level: 1
Usage: Conditional (Required)
Max Use: 1
Purpose: A group of segments giving references only relevant to the specified party rather than the whole message, e.g. contract number.

Segment Summary

<u>User</u>	<u>Pos.</u>	<u>Seg.</u>	<u>Name</u>	<u>Req.</u>	<u>Max.</u>	<u>Group:</u>
<u>Attribute</u>	<u>No.</u>	<u>ID</u>		<u>Des.</u>	<u>Use</u>	<u>Repeat</u>
M	0060	RFF	Reference - (AAN) - Adient Internal SAP JIT Call Header	M	1	

Segment: **RFF** Reference - (AAN) - Adient Internal SAP JIT Call Header
Position: 0060 (Trigger Segment)
Group: Segment Group 1 (Reference -Adient Internal SAP JIT Call Header) Conditional (Required)
Level: 1
Usage: Mandatory
Max Use: 1
Purpose: A segment for referencing documents to the whole message, e.g. contract, import/export license.

Dependency Notes:

Semantic Notes:

Comments:

Notes: **Data Examples**

RFF+AAN:0000002540#0000002325'

Data Element Summary

<u>User</u>	<u>Data</u>	<u>Component</u>		
<u>Attribute</u>	<u>Element</u>	<u>Element</u>	<u>Name</u>	<u>Attributes</u>
M	C506		REFERENCE Identification of a reference.	M 1
M		1153	Reference code qualifier Code qualifying a reference. AAN Delivery schedule number Reference number assigned by buyer to a delivery schedule.	M an..3
Must Use		1154	Reference identifier Identifies a reference.	C an..70
Notes to Trading Partner:				
Format: 9999999999#9999999999				
This reference number must be returned in the DESADV.				
Not Used		1156	Document line identifier To identify a line of a document.	C an..6
Not Used		4000	Reference version identifier To identify the version of a reference.	C an..35
Not Used		1060	Revision identifier To identify a revision.	C an..6

Group: **NAD** Segment Group 2: Name and Address - Buyer
Position: 0080
Group:
Level: 1
Usage: Conditional (Required)
Max Use: 1
Purpose: A group of segments identifying names and addresses and their functions relevant for the whole Delivery Just In Time Message.

Segment Summary

<u>User</u>	<u>Pos.</u>	<u>Seg.</u>	<u>Name</u>	<u>Req.</u>	<u>Max.</u>	<u>Group:</u>
<u>Attribute</u>	<u>No.</u>	<u>ID</u>		<u>Des.</u>	<u>Use</u>	<u>Repeat</u>
M	0090	NAD	Name and Address - (BY) - Buyer	M	1	

Segment: **NAD** Name and Address - (BY) - Buyer
Position: 0090 (Trigger Segment)
Group: Segment Group 2 (Name and Address - Buyer) Conditional (Required)
Level: 1
Usage: Mandatory
Max Use: 1
Purpose: A segment for identifying names and addresses and their functions relevant for the whole Delivery Just In Time Message. Identification of the seller and buyer parties is recommended for the Delivery Just In Time. They are to be given in the NAD segment. It is recommended that where possible only the coded form of the party ID should be specified. e.g. The Buyer and Seller are known to each other, thus only the coded ID is required, but the Consignee or Delivery address may vary and would have to be clearly specified, preferably in structured format.

Dependency Notes:

Semantic Notes:

Comments:

Notes:

Data Examples

NAD+BY+1769::92'

Data Element Summary

User	Data	Component	Attributes	
<u>Attribute</u>	<u>Element</u>	<u>Element</u>	<u>Name</u>	<u>Attributes</u>
M	3035		PARTY FUNCTION CODE QUALIFIER Code giving specific meaning to a party. BY Buyer Party to whom merchandise and/or service is sold.	M 1 an..3
Must Use	C082		PARTY IDENTIFICATION DETAILS Identification of a transaction party by code.	C 1
M		3039	Party identifier Code specifying the identity of a party.	M an..35
Not Used		1131	Code list identification code Code identifying a user or association maintained code list.	C an..17
Must Use		3055	Code list responsible agency code Code specifying the agency responsible for a code list. 92 Assigned by buyer or buyer's agent Codes assigned by a buyer or buyer's agent.	C an..3
Not Used	C058		NAME AND ADDRESS Unstructured name and address: one to five lines.	C 1
Not Used		3124	Name and address description Free form description of a name and address line.	M an..35
Not Used		3124	Name and address description Free form description of a name and address line.	C an..35
Not Used		3124	Name and address description Free form description of a name and address line.	C an..35

Not Used		3124	Name and address description Free form description of a name and address line.	C	an..35
Not Used		3124	Name and address description Free form description of a name and address line.	C	an..35
Not Used	C080		PARTY NAME Identification of a transaction party by name, one to five lines. Party name may be formatted.	C	1
Not Used		3036	Party name Name of a party.	M	an..35
Not Used		3036	Party name Name of a party.	C	an..35
Not Used		3036	Party name Name of a party.	C	an..35
Not Used		3036	Party name Name of a party.	C	an..35
Not Used		3036	Party name Name of a party.	C	an..35
Not Used		3045	Party name format code Code specifying the representation of a party name. Refer to D.04B Data Element Dictionary for acceptable code values.	C	an..3
Not Used	C059		STREET Street address and/or PO Box number in a structured address: one to four lines.	C	1
Not Used		3042	Street and number or post office box identifier To identify a street and number and/or Post Office box number.	M	an..35
Not Used		3042	Street and number or post office box identifier To identify a street and number and/or Post Office box number.	C	an..35
Not Used		3042	Street and number or post office box identifier To identify a street and number and/or Post Office box number.	C	an..35
Not Used		3042	Street and number or post office box identifier To identify a street and number and/or Post Office box number.	C	an..35
Not Used	3164		CITY NAME Name of a city.	C	1 an..35
Not Used	C819		COUNTRY SUB-ENTITY DETAILS To specify a part of a country (eg county or part of a city).	C	1
Not Used		3229	Country sub-entity name code Code specifying the name of a country sub-entity.	C	an..9
Not Used		1131	Code list identification code Code identifying a user or association maintained code list.	C	an..17
Not Used		3055	Code list responsible agency code Code specifying the agency responsible for a code list. Refer to D.04B Data Element Dictionary for acceptable code values.	C	an..3
Not Used		3228	Country sub-entity name Name of a country sub-entity.	C	an..70
Not Used	3251		POSTAL IDENTIFICATION CODE Code specifying the postal zone or address.	C	1 an..17

Not Used	3207	COUNTRY NAME CODE	C	1 an..3
-----------------	-------------	--------------------------	----------	----------------

Identification of the name of the country or other geographical entity as defined in ISO 3166-1.

Group: **NAD** Segment Group 2: Name and Address - Ship From
Position: 0080
Group:
Level: 1
Usage: Conditional (Required)
Max Use: 1
Purpose:

Segment Summary

<u>User</u>	<u>Pos.</u>	<u>Seg.</u>	<u>Name</u>	<u>Req.</u>	<u>Max.</u>	<u>Group:</u>
<u>Attribute</u>	<u>No.</u>	<u>ID</u>	<u>Name</u>	<u>Des.</u>	<u>Use</u>	<u>Repeat</u>
M	0090	NAD	Name and Address - (SF) - Ship-From	M	1	

Segment: **NAD** Name and Address - (SF) - Ship-From
Position: 0090 (Trigger Segment)
Group: Segment Group 2 (Name and Address - Ship From) Conditional (Required)
Level: 1
Usage: Mandatory
Max Use: 1
Purpose: A segment for identifying names and addresses and their functions relevant for the whole Delivery Just In Time Message. Identification of the seller and buyer parties is recommended for the Delivery Just In Time. They are to be given in the NAD segment. It is recommended that where possible only the coded form of the party ID should be specified. e.g. The Buyer and Seller are known to each other, thus only the coded ID is required, but the Consignee or Delivery address may vary and would have to be clearly specified, preferably in structured format.

Dependency Notes:

Semantic Notes:

Comments:

Notes:

Data Examples

NAD+SF+305216::92'

Data Element Summary

User	Data	Component	Attributes
<u>Attribute</u>	<u>Element</u>	<u>Element</u> <u>Name</u>	
M	3035	PARTY FUNCTION CODE QUALIFIER Code giving specific meaning to a party. SF Ship from Identification of the party from where goods will be or have been shipped.	M 1 an..3
Must Use	C082	PARTY IDENTIFICATION DETAILS Identification of a transaction party by code.	C 1
M	3039	Party identifier Code specifying the identity of a party.	M an..35
Not Used	1131	Code list identification code Code identifying a user or association maintained code list.	C an..17
	3055	Code list responsible agency code Code specifying the agency responsible for a code list. 92 Assigned by buyer or buyer's agent Codes assigned by a buyer or buyer's agent.	C an..3
Not Used	C058	NAME AND ADDRESS Unstructured name and address: one to five lines.	C 1
Not Used	3124	Name and address description Free form description of a name and address line.	M an..35
Not Used	3124	Name and address description Free form description of a name and address line.	C an..35
Not Used	3124	Name and address description Free form description of a name and address line.	C an..35

Not Used		3124	Name and address description Free form description of a name and address line.	C	an..35
Not Used		3124	Name and address description Free form description of a name and address line.	C	an..35
Not Used	C080		PARTY NAME Identification of a transaction party by name, one to five lines. Party name may be formatted.	C	1
Not Used		3036	Party name Name of a party.	M	an..35
Not Used		3036	Party name Name of a party.	C	an..35
Not Used		3036	Party name Name of a party.	C	an..35
Not Used		3036	Party name Name of a party.	C	an..35
Not Used		3036	Party name Name of a party.	C	an..35
Not Used		3045	Party name format code Code specifying the representation of a party name. Refer to D.04B Data Element Dictionary for acceptable code values.	C	an..3
Not Used	C059		STREET Street address and/or PO Box number in a structured address: one to four lines.	C	1
Not Used		3042	Street and number or post office box identifier To identify a street and number and/or Post Office box number.	M	an..35
Not Used		3042	Street and number or post office box identifier To identify a street and number and/or Post Office box number.	C	an..35
Not Used		3042	Street and number or post office box identifier To identify a street and number and/or Post Office box number.	C	an..35
Not Used		3042	Street and number or post office box identifier To identify a street and number and/or Post Office box number.	C	an..35
Not Used	3164		CITY NAME Name of a city.	C	1 an..35
Not Used	C819		COUNTRY SUB-ENTITY DETAILS To specify a part of a country (eg county or part of a city).	C	1
Not Used		3229	Country sub-entity name code Code specifying the name of a country sub-entity.	C	an..9
Not Used		1131	Code list identification code Code identifying a user or association maintained code list.	C	an..17
Not Used		3055	Code list responsible agency code Code specifying the agency responsible for a code list. Refer to D.04B Data Element Dictionary for acceptable code values.	C	an..3
Not Used		3228	Country sub-entity name Name of a country sub-entity.	C	an..70
Not Used	3251		POSTAL IDENTIFICATION CODE Code specifying the postal zone or address.	C	1 an..17

Not Used	3207	COUNTRY NAME CODE	C	1 an..3
-----------------	-------------	--------------------------	----------	----------------

Identification of the name of the country or other geographical entity as defined in ISO 3166-1.

Group: **NAD** Segment Group 2: Name and Address - Ship To
Position: 0080
Group:
Level: 1
Usage: Conditional (Required)
Max Use: 1
Purpose:

Segment Summary

<u>User</u>	<u>Pos.</u>	<u>Seg.</u>	<u>Name</u>	<u>Req.</u>	<u>Max.</u>	<u>Group:</u>
<u>Attribute</u>	<u>No.</u>	<u>ID</u>		<u>Des.</u>	<u>Use</u>	<u>Repeat</u>
M	0090	NAD	Name and Address - (ST) - Ship To	M	1	

Segment: **NAD Name and Address - (ST) - Ship To**
Position: 0090 (Trigger Segment)
Group: Segment Group 2 (Name and Address - Ship To) Conditional (Required)
Level: 1
Usage: Mandatory
Max Use: 1
Purpose: A segment for identifying names and addresses and their functions relevant for the whole Delivery Just In Time Message. Identification of the seller and buyer parties is recommended for the Delivery Just In Time. They are to be given in the NAD segment. It is recommended that where possible only the coded form of the party ID should be specified. e.g. The Buyer and Seller are known to each other, thus only the coded ID is required, but the Consignee or Delivery address may vary and would have to be clearly specified, preferably in structured format.

Dependency Notes:

Semantic Notes:

Comments:

Notes: **Data Examples**

NAD+ST+1769::92'

Data Element Summary

<u>User</u>	<u>Data</u>	<u>Component</u>	<u>Attributes</u>
<u>Attribute</u>	<u>Element</u>	<u>Element</u> <u>Name</u>	
M	3035	PARTY FUNCTION CODE QUALIFIER Code giving specific meaning to a party. ST Ship to Identification of the party to where goods will be or have been shipped.	M 1 an..3
Must Use	C082	PARTY IDENTIFICATION DETAILS Identification of a transaction party by code.	C 1
M	3039	Party identifier Code specifying the identity of a party.	M an..35
Not Used	1131	Code list identification code Code identifying a user or association maintained code list.	C an..17
	3055	Code list responsible agency code Code specifying the agency responsible for a code list. 92 Assigned by buyer or buyer's agent Codes assigned by a buyer or buyer's agent.	C an..3
Not Used	C058	NAME AND ADDRESS Unstructured name and address: one to five lines.	C 1
Not Used	3124	Name and address description Free form description of a name and address line.	M an..35
Not Used	3124	Name and address description Free form description of a name and address line.	C an..35
Not Used	3124	Name and address description Free form description of a name and address line.	C an..35

Not Used		3124	Name and address description Free form description of a name and address line.	C	an..35
Not Used		3124	Name and address description Free form description of a name and address line.	C	an..35
Not Used	C080		PARTY NAME Identification of a transaction party by name, one to five lines. Party name may be formatted.	C	1
Not Used		3036	Party name Name of a party.	M	an..35
Not Used		3036	Party name Name of a party.	C	an..35
Not Used		3036	Party name Name of a party.	C	an..35
Not Used		3036	Party name Name of a party.	C	an..35
Not Used		3036	Party name Name of a party.	C	an..35
Not Used		3045	Party name format code Code specifying the representation of a party name. Refer to D.04B Data Element Dictionary for acceptable code values.	C	an..3
Not Used	C059		STREET Street address and/or PO Box number in a structured address: one to four lines.	C	1
Not Used		3042	Street and number or post office box identifier To identify a street and number and/or Post Office box number.	M	an..35
Not Used		3042	Street and number or post office box identifier To identify a street and number and/or Post Office box number.	C	an..35
Not Used		3042	Street and number or post office box identifier To identify a street and number and/or Post Office box number.	C	an..35
Not Used		3042	Street and number or post office box identifier To identify a street and number and/or Post Office box number.	C	an..35
Not Used	3164		CITY NAME Name of a city.	C	1 an..35
Not Used	C819		COUNTRY SUB-ENTITY DETAILS To specify a part of a country (eg county or part of a city).	C	1
Not Used		3229	Country sub-entity name code Code specifying the name of a country sub-entity.	C	an..9
Not Used		1131	Code list identification code Code identifying a user or association maintained code list.	C	an..17
Not Used		3055	Code list responsible agency code Code specifying the agency responsible for a code list. Refer to D.04B Data Element Dictionary for acceptable code values.	C	an..3
Not Used		3228	Country sub-entity name Name of a country sub-entity.	C	an..70
Not Used	3251		POSTAL IDENTIFICATION CODE Code specifying the postal zone or address.	C	1 an..17

Not Used	3207	COUNTRY NAME CODE	C	1 an..3
-----------------	-------------	--------------------------	----------	----------------

Identification of the name of the country or other geographical entity as defined in ISO 3166-1.

Group: **SEQ** Segment Group 4: Delivery Instruction Line (synchronized JIS delivery instruction)
Position: 0150
Group:
Level: 1
Usage: Mandatory
Max Use: 9999
Purpose: A group of segments providing details related to the delivery sequence. All other segments in this Segment Group following the SEQ segment refer to that sequence.

Segment Summary

<u>User Attribute</u>	<u>Pos. No.</u>	<u>Seg. ID</u>	<u>Name</u>	<u>Req. Des.</u>	<u>Max. Use</u>	<u>Group: Repeat</u>
M	0160	SEQ	Sequence Details - (39) - Adient Internal Sequence Number	M	1	
Must Use	0170	DTM	Date/Time/Period - (206) - Date/time for goods receipt	C	1	
Must Use	0180	GIR	Related Identification Numbers - (1) - Running Doc Number/Running Number	C	1	
Must Use	0180	GIR	Related Identification Numbers - (4) - JIT Call Number/Vehicle Identity Number	C	1	
	0250		Segment Group 7: Line Item	C		9999

Segment: **SEQ** Sequence Details - (39) - Adient Internal Sequence Number
Position: 0160 (Trigger Segment)
Group: Segment Group 4 (Delivery Instruction Line (synchronized JIS delivery instruction))
Mandatory
Level: 1
Usage: Mandatory
Max Use: 1
Purpose: A segment providing specific details related to the delivery sequence requested by the buyer or recipient of the product.

Dependency Notes:

Semantic Notes:

Comments:

Notes:

Data Examples

SEQ+39+1234567890:4'

Data Element Summary

<u>User</u>	<u>Data</u>	<u>Component</u>	<u>Name</u>	<u>Attributes</u>
<u>Attribute</u>	<u>Element</u>	<u>Element</u>		
Must Use	1229		ACTION REQUEST/NOTIFICATION DESCRIPTION CODE Code specifying the action to be taken or already taken. Notes to Trading Partner: Code 2 is used when an order (not entire message) is cancelled.	C 1 an..3
	C286		39 New Not existing before.	
M		1050	SEQUENCE INFORMATION Identification of a sequence and source for sequencing. Sequence position identifier - Adient Internal Sequence Number To identify a position in a sequence. Notes to Trading Partner: 8-digit call-off number with leading zeroes This number must be returned in the DESADV.	C 1 M an..10
Must Use		1159	Sequence identifier source code Code specifying the source of a sequence identifier. 4 Manufacturer production sequence number The plant requesting the delivery of an item assigns a number indicating the sequence of the finished article.	C an..3
Not Used		1131	Code list identification code Code identifying a user or association maintained code list.	C an..17
Not Used		3055	Code list responsible agency code Code specifying the agency responsible for a code list. Refer to D.04B Data Element Dictionary for acceptable code values.	C an..3

Segment: **DTM** **Date/Time/Period - (206) - Date/time for goods receipt**
Position: 0170
Group: Segment Group 4 (Delivery Instruction Line (synchronized JIS delivery instruction))
Mandatory
Level: 2
Usage: Conditional (Required)
Max Use: 1
Purpose: A segment specifying the date, and when relevant, the time/period for delivery of that sequence.

Dependency Notes:

Semantic Notes:

Comments:

Notes: **Data Examples**

DTM+206:201410131500:203'

Data Element Summary

<u>User</u>	<u>Data</u>	<u>Component</u>	<u>Name</u>	<u>Attributes</u>
<u>Attribute</u>	<u>Element</u>	<u>Element</u>		
M	C507		DATE/TIME/PERIOD - DATE/TIME FOR GOODS RECEIPT Date and/or time, or period relevant to the specified date/time/period type.	M 1
M		2005	Date or time or period function code qualifier Code qualifying the function of a date, time or period. 206 End date/time Date/time on which a period (from - to) ends.	M an..3
Must Use		2380	Date or time or period text The value of a date, a date and time, a time or of a period in a specified representation.	C an..35
Must Use		2379	Date or time or period format code Code specifying the representation of a date, time or period. 203 CCYMMDDHHMM Calendar date including time with minutes: C=Century; Y=Year; M=Month; D=Day; H=Hour; M=Minutes.	C an..3

Segment: **GIR** Related Identification Numbers - (1) - Running Doc Number/Running Number
Position: 0180
Group: Segment Group 4 (Delivery Instruction Line (synchronized JIS delivery instruction)) Mandatory
Level: 2
Usage: Conditional (Required)
Max Use: 1
Purpose: A segment to be able to give related identification numbers.
Dependency Notes:
Semantic Notes:
Comments:
Notes:

Data Examples
 GIR+1+00001300:CQ+00000057:ML'

Data Element Summary

<u>User</u>	<u>Data</u>	<u>Component</u>	<u>Attributes</u>
<u>Attribute</u>	<u>Element</u>	<u>Element</u> <u>Name</u>	
M	7297	SET TYPE CODE QUALIFIER Code qualifying the type of set. 1 Product Identification of the product set.	M 1 an..3
M	C206	IDENTIFICATION NUMBER The identification of an object.	M 1
M		7402 Object identifier - Running Document Number Code specifying the unique identity of an object. Notes to Trading Partner: Running Document Number A continuous counter per parts family, increased by one per order in each JIS message. Messages and the contained orders must be processed in sequence. When gaps are detected, the Adient plant should be informed about the missing range and the received messages should be processed regardless of the gaps. As soon as the missed message is resent, the messages have to be reprocessed in sequence.	M an..35
Must Use		7405 Object identification code qualifier Code qualifying the identification of an object. CQ Internal control number Control number assigned for internal use.	C an..3
Not Used		4405 Status description code Code specifying a status. Refer to D.04B Data Element Dictionary for acceptable code values.	C an..3
Must Use	C206	IDENTIFICATION NUMBER The identification of an object.	C 1
M		7402 Object identifier - Running Number Code specifying the unique identity of an object. Notes to Trading Partner: Running Number A continuous counter per parts family, increased by one per order in regular call-offs only, except when only the part list has changed.	M an..35
Must Use		7405 Object identification code qualifier	C an..3

			Code qualifying the identification of an object.		
		ML	Marking/label number		
			The number on the marking or label.		
Not Used		4405	Status description code	C	an..3
			Code specifying a status.		
			Refer to D.04B Data Element Dictionary for acceptable code values.		
Not Used	C206		IDENTIFICATION NUMBER	C	1
			The identification of an object.		
Not Used		7402	Object identifier	M	an..35
			Code specifying the unique identity of an object.		
Not Used		7405	Object identification code qualifier	C	an..3
			Code qualifying the identification of an object.		
			Refer to D.04B Data Element Dictionary for acceptable code values.		
Not Used		4405	Status description code	C	an..3
			Code specifying a status.		
			Refer to D.04B Data Element Dictionary for acceptable code values.		
Not Used	C206		IDENTIFICATION NUMBER	C	1
			The identification of an object.		
Not Used		7402	Object identifier	M	an..35
			Code specifying the unique identity of an object.		
Not Used		7405	Object identification code qualifier	C	an..3
			Code qualifying the identification of an object.		
			Refer to D.04B Data Element Dictionary for acceptable code values.		
Not Used		4405	Status description code	C	an..3
			Code specifying a status.		
			Refer to D.04B Data Element Dictionary for acceptable code values.		
Not Used	C206		IDENTIFICATION NUMBER	C	1
			The identification of an object.		
Not Used		7402	Object identifier	M	an..35
			Code specifying the unique identity of an object.		
Not Used		7405	Object identification code qualifier	C	an..3
			Code qualifying the identification of an object.		
			Refer to D.04B Data Element Dictionary for acceptable code values.		
Not Used		4405	Status description code	C	an..3
			Code specifying a status.		
			Refer to D.04B Data Element Dictionary for acceptable code values.		

Segment: **GIR** Related Identification Numbers - (4) - JIT Call Number/Vehicle Identity Number
Position: 0180
Group: Segment Group 4 (Delivery Instruction Line (synchronized JIS delivery instruction)) Mandatory
Level: 2
Usage: Conditional (Required)
Max Use: 1
Purpose: A segment to be able to give related identification numbers.
Dependency Notes:
Semantic Notes:
Comments:
Notes: **Data Examples**

GIR+4+60712741:AN+GE12000:VV'

Data Element Summary

<u>User</u>	<u>Data</u>	<u>Component</u>	<u>Name</u>	<u>Attributes</u>
<u>Attribute</u>	<u>Element</u>	<u>Element</u>		
M	7297		SET TYPE CODE QUALIFIER Code qualifying the type of set. 4 Vehicle reference set A code which indicates that the identities which follow are related to a particular vehicle which may have been previously identified.	M 1 an..3
M	C206		IDENTIFICATION NUMBER The identification of an object.	M 1
M		7402	Object identifier - JIT Call Number Code specifying the unique identity of an object.	M an..35
			Notes to Trading Partner: Adient JIS Call Number This number must be returned in the DESADV.	
Must Use		7405	Object identification code qualifier Code qualifying the identification of an object. AN Manufacturing reference number A unique number identifying a particular assembly or other manufacturing process.	C an..3
Not Used		4405	Status description code Code specifying a status. Refer to D.04B Data Element Dictionary for acceptable code values.	C an..3
Must Use	C206		IDENTIFICATION NUMBER The identification of an object.	C 1

M		7402 Object identifier - Vehicle Identity Number	M	an..35
		Code specifying the unique identity of an object.		
		Notes to Trading Partner:		
		Vehicle Identity Number		
		This number must be printed by the supplier on the label and is necessary for traceability.		
Must Use		7405 Object identification code qualifier	C	an..3
		Code qualifying the identification of an object.		
		VV Vehicle identity number		
		Unique serial number assigned by the manufacturer that distinguishes one vehicle from another.		
Not Used		4405 Status description code	C	an..3
		Code specifying a status.		
		Refer to D.04B Data Element Dictionary for acceptable code values.		
Not Used	C206	IDENTIFICATION NUMBER	C	1
		The identification of an object.		
Not Used		7402 Object identifier	M	an..35
		Code specifying the unique identity of an object.		
Not Used		7405 Object identification code qualifier	C	an..3
		Code qualifying the identification of an object.		
		Refer to D.04B Data Element Dictionary for acceptable code values.		
Not Used		4405 Status description code	C	an..3
		Code specifying a status.		
		Refer to D.04B Data Element Dictionary for acceptable code values.		
Not Used	C206	IDENTIFICATION NUMBER	C	1
		The identification of an object.		
Not Used		7402 Object identifier	M	an..35
		Code specifying the unique identity of an object.		
Not Used		7405 Object identification code qualifier	C	an..3
		Code qualifying the identification of an object.		
		Refer to D.04B Data Element Dictionary for acceptable code values.		
Not Used		4405 Status description code	C	an..3
		Code specifying a status.		
		Refer to D.04B Data Element Dictionary for acceptable code values.		
Not Used	C206	IDENTIFICATION NUMBER	C	1
		The identification of an object.		
Not Used		7402 Object identifier	M	an..35
		Code specifying the unique identity of an object.		
Not Used		7405 Object identification code qualifier	C	an..3
		Code qualifying the identification of an object.		
		Refer to D.04B Data Element Dictionary for acceptable code values.		

Not Used	4405	Status description code	C	an..3
		Code specifying a status. Refer to D.04B Data Element Dictionary for acceptable code values.		

Group: **LIN** Segment Group 7: Line Item
Position: 0250
Group: Segment Group 4 (Delivery Instruction Line (synchronized JIS delivery instruction))
 Mandatory
Level: 2
Usage: Conditional (Required)
Max Use: 9999
Purpose: A group of segments providing details of the individual line items to be delivered.

Segment Summary

<u>User</u>	<u>Pos.</u>	<u>Seg.</u>	<u>Name</u>	<u>Req.</u>	<u>Max.</u>	<u>Group:</u>
<u>Attribute</u>	<u>No.</u>	<u>ID</u>		<u>Des.</u>	<u>Use</u>	<u>Repeat</u>
M	0260	LIN	Line Item	M	1	
Must Use	0270	PIA	Additional Product Id - (1) Supplier's Item Number	C	10	
	0340		Segment Group 8: Reference - Purchase Order Number	C		1
	0400		Segment Group 10: Place/Location Identification - Unloading Point	C		1
	0400		Segment Group 10: Place/Location Identification - Adient Point of FIT	C		1
	0450		Segment Group 12: Quantity - Delivery Quantity	C		999

Segment: **LIN** Line Item
Position: 0260 (Trigger Segment)
Group: Segment Group 7 (Line Item) Conditional (Required)
Level: 2
Usage: Mandatory
Max Use: 1
Purpose: A segment identifying the details of the product/service being delivered e.g. product identification. All other segments in the detail section following the LIN segment refer to the line item.

Dependency Notes:

Semantic Notes:

Comments:

Notes:

Data Examples

LIN+1++7360567-02:IN'

Data Element Summary

<u>User</u>	<u>Data</u>	<u>Component</u>	<u>Attributes</u>
<u>Attribute</u>	<u>Element</u>	<u>Element</u> <u>Name</u>	
Must Use	1082	LINE ITEM IDENTIFIER To identify a line item.	C 1 an..6
Not Used	1229	ACTION REQUEST/NOTIFICATION DESCRIPTION CODE Code specifying the action to be taken or already taken. Refer to D.04B Data Element Dictionary for acceptable code values.	C 1 an..3
Must Use	C212	ITEM NUMBER IDENTIFICATION Goods identification for a specified source.	C 1
Must Use		7140 Item identifier To identify an item.	C an..35
		Notes to Trading Partner: Adient part number 9 digits Material number (7) + change index (2) Format: XXXXXXXX-XX	
		7143 Item type identification code Coded identification of an item type. IN Buyer's item number The item number has been allocated by the buyer.	C an..3
Not Used		1131 Code list identification code Code identifying a user or association maintained code list.	C an..17
Not Used		3055 Code list responsible agency code Code specifying the agency responsible for a code list. Refer to D.04B Data Element Dictionary for acceptable code values.	C an..3
Not Used	C829	SUB-LINE INFORMATION To provide an indication that a segment or segment group is used to contain sub-line or sub-line item information and to optionally enable the sub-line to be identified.	C 1

Not Used	5495	Sub-line indicator code Code indicating a sub-line item. Refer to D.04B Data Element Dictionary for acceptable code values.	C	an..3
Not Used	1082	Line item identifier To identify a line item.	C	an..6
Not Used	1222	CONFIGURATION LEVEL NUMBER To specify a level within a configuration.	C	1 n..2
Not Used	7083	CONFIGURATION OPERATION CODE Code specifying the configuration operation. Refer to D.04B Data Element Dictionary for acceptable code values.	C	1 an..3

Segment: **PIA Additional Product Id - (1) Supplier's Item Number**
Position: 0270
Group: Segment Group 7 (Line Item) Conditional (Required)
Level: 3
Usage: Conditional (Required)
Max Use: 10
Purpose: A segment providing additional product identification.
Dependency Notes:
Semantic Notes:
Comments:
Notes:

Data Examples

PIA+1+7360567-02:SA'

Data Element Summary

<u>User</u>	<u>Data</u>	<u>Component</u>	<u>Name</u>	<u>Attributes</u>
<u>Attribute</u>	<u>Element</u>	<u>Element</u>		
M	4347		PRODUCT IDENTIFIER CODE QUALIFIER Code qualifying the product identifier. 1 Additional identification Information which specifies and qualifies product identifications.	M 1 an..3
M	C212		ITEM NUMBER IDENTIFICATION Goods identification for a specified source.	M 1
Must Use		7140	Item identifier To identify an item.	C an..35
			Notes to Trading Partner: Supply Group	
Must Use		7143	Item type identification code Coded identification of an item type. SA Supplier's article number Number assigned to an article by the supplier of that article.	C an..3
Not Used		1131	Code list identification code Code identifying a user or association maintained code list.	C an..17
Not Used		3055	Code list responsible agency code Code specifying the agency responsible for a code list. Refer to D.04B Data Element Dictionary for acceptable code values.	C an..3
Not Used	C212		ITEM NUMBER IDENTIFICATION Goods identification for a specified source.	C 1
Not Used		7140	Item identifier To identify an item.	C an..35
Not Used		7143	Item type identification code Coded identification of an item type. Refer to D.04B Data Element Dictionary for acceptable code values.	C an..3

Not Used		1131	Code list identification code Code identifying a user or association maintained code list.	C	an..17
Not Used		3055	Code list responsible agency code Code specifying the agency responsible for a code list. Refer to D.04B Data Element Dictionary for acceptable code values.	C	an..3
Not Used	C212		ITEM NUMBER IDENTIFICATION Goods identification for a specified source.	C	1
Not Used		7140	Item identifier To identify an item.	C	an..35
Not Used		7143	Item type identification code Coded identification of an item type. Refer to D.04B Data Element Dictionary for acceptable code values.	C	an..3
Not Used		1131	Code list identification code Code identifying a user or association maintained code list.	C	an..17
Not Used		3055	Code list responsible agency code Code specifying the agency responsible for a code list. Refer to D.04B Data Element Dictionary for acceptable code values.	C	an..3
Not Used	C212		ITEM NUMBER IDENTIFICATION Goods identification for a specified source.	C	1
Not Used		7140	Item identifier To identify an item.	C	an..35
Not Used		7143	Item type identification code Coded identification of an item type. Refer to D.04B Data Element Dictionary for acceptable code values.	C	an..3
Not Used		1131	Code list identification code Code identifying a user or association maintained code list.	C	an..17
Not Used		3055	Code list responsible agency code Code specifying the agency responsible for a code list. Refer to D.04B Data Element Dictionary for acceptable code values.	C	an..3
Not Used	C212		ITEM NUMBER IDENTIFICATION Goods identification for a specified source.	C	1
Not Used		7140	Item identifier To identify an item.	C	an..35
Not Used		7143	Item type identification code Coded identification of an item type. Refer to D.04B Data Element Dictionary for acceptable code values.	C	an..3
Not Used		1131	Code list identification code Code identifying a user or association maintained code list.	C	an..17
Not Used		3055	Code list responsible agency code Code specifying the agency responsible for a code list. Refer to D.04B Data Element Dictionary for acceptable code values.	C	an..3

Group: **RFF** Segment Group 8: Reference - Purchase Order Number
Position: 0340
Group: Segment Group 7 (Line Item) Conditional (Required)
Level: 3
Usage: Conditional (Required)
Max Use: 1
Purpose: A group of segments giving references and where necessary, their dates, relating to the line item.

Segment Summary

<u>User</u>	<u>Pos.</u>	<u>Seg.</u>	<u>Name</u>	<u>Req.</u>	<u>Max.</u>	<u>Group:</u>
<u>Attribute</u>	<u>No.</u>	<u>ID</u>		<u>Des.</u>	<u>Use</u>	<u>Repeat</u>
M	0350	RFF	Reference - (ON) - Purchase Order Number	M	1	

Segment: **RFF** Reference - (ON) - Purchase Order Number
Position: 0350 (Trigger Segment)
Group: Segment Group 8 (Reference - Purchase Order Number) Conditional (Required)
Level: 3
Usage: Mandatory
Max Use: 1
Purpose: A segment for referencing document and other numbers related to the line item as specified in the LIN segment.

Dependency Notes:

Semantic Notes:

Comments:

Notes:

Data Examples

RFF+ON:0055059001:00001'

Data Element Summary

<u>User</u>	<u>Data</u>	<u>Component</u>	<u>Name</u>	<u>Attributes</u>
<u>Attribute</u>	<u>Element</u>	<u>Element</u>		
M	C506		REFERENCE Identification of a reference.	M 1
M		1153	Reference code qualifier Code qualifying a reference. ON Buyers order number [1022] Reference number assigned by the buyer to an order.	M an..3
Must Use		1154	Reference identifier Identifies a reference.	C an..70
		1156	Document line identifier To identify a line of a document.	C an..6
			Notes to Trading Partner: PO Line Number	
Not Used		4000	Reference version identifier To identify the version of a reference.	C an..35
Not Used		1060	Revision identifier To identify a revision.	C an..6

Group: **LOC** **Segment Group 10: Place/Location Identification - Unloading Point**
Position: 0400
Group: Segment Group 7 (Line Item) Conditional (Required)
Level: 3
Usage: Conditional (Optional)
Max Use: 1
Purpose: A group of segments providing delivery location information and where relevant contacts.

Segment Summary

<u>User</u>	<u>Pos.</u>	<u>Seg.</u>	<u>Name</u>	<u>Req.</u>	<u>Max.</u>	<u>Group:</u>
<u>Attribute</u>	<u>No.</u>	<u>ID</u>		<u>Des.</u>	<u>Use</u>	<u>Repeat</u>
M	0410	LOC	Place/Location Identification - (11) - Unloading Point	M		1

Segment: **LOC** Place/Location Identification - (11) - Unloading Point
Position: 0410 (Trigger Segment)
Group: Segment Group 10 (Place/Location Identification - Unloading Point) Conditional (Optional)
Level: 3
Usage: Mandatory
Max Use: 1
Purpose: A segment indicating more details regarding specific locations related to the line item.

Dependency Notes:

Semantic Notes:

Comments:

Notes:

Data Examples

LOC+11+A123::92'

Data Element Summary

<u>User</u>	<u>Data</u>	<u>Component</u>	<u>Attributes</u>
<u>Attribute</u>	<u>Element</u>	<u>Element</u> <u>Name</u>	
M	3227	LOCATION FUNCTION CODE QUALIFIER Code identifying the function of a location.	M 1 an..3
		11 Place/port of discharge (3392 + 3414) Seaport, airport, freight terminal, rail station or other place at which the goods (cargo) are unloaded from the means of transport having been used for their carriage.	
Must Use	C517	LOCATION IDENTIFICATION Identification of a location by code or name.	C 1
Must Use		3225 Location name code Code specifying the name of the location.	C an..35
		Notes to Trading Partner: Adient Unloading Point This value must be returned in the DESADV.	
Not Used		1131 Code list identification code Code identifying a user or association maintained code list.	C an..17
Must Use		3055 Code list responsible agency code Code specifying the agency responsible for a code list.	C an..3
		92 Assigned by buyer or buyer's agent Codes assigned by a buyer or buyer's agent.	
Not Used		3224 Location name Name of the location.	C an..256
Not Used	C519	RELATED LOCATION ONE IDENTIFICATION Identification the first related location by code or name.	C 1
Not Used		3223 First related location name code Code specifying first related location.	C an..25
Not Used		1131 Code list identification code Code identifying a user or association maintained code list.	C an..17
Not Used		3055 Code list responsible agency code Code specifying the agency responsible for a code list. Refer to D.04B Data Element Dictionary for acceptable code values.	C an..3

Not Used		3222	First related location name Name of first related location.	C	an..70
Not Used	C553		RELATED LOCATION TWO IDENTIFICATION Identification of second related location by code or name.	C	1
Not Used		3233	Second related location name code Code specifying the second related location.	C	an..25
Not Used		1131	Code list identification code Code identifying a user or association maintained code list.	C	an..17
Not Used		3055	Code list responsible agency code Code specifying the agency responsible for a code list. Refer to D.04B Data Element Dictionary for acceptable code values.	C	an..3
Not Used		3232	Second related location name Name of the second related location.	C	an..70
Not Used	5479		RELATION CODE Code specifying a relation.	C	1 an..3

Group: **LOC** Segment Group 10: Place/Location Identification - Adient Point of FIT
Position: 0400
Group: Segment Group 7 (Line Item) Conditional (Required)
Level: 3
Usage: Conditional (Optional)
Max Use: 1
Purpose: A group of segments providing delivery location information and where relevant contacts.

Segment Summary

<u>User</u>	<u>Pos.</u>	<u>Seg.</u>	<u>Name</u>	<u>Req.</u>	<u>Max.</u>	<u>Group:</u>
<u>Attribute</u>	<u>No.</u>	<u>ID</u>		<u>Des.</u>	<u>Use</u>	<u>Repeat</u>
M	0410	LOC	Place/Location Identification - (159) - Adient Point of FIT	M	1	

Segment: **LOC** Place/Location Identification - (159) - Adient Point of FIT
Position: 0410 (Trigger Segment)
Group: Segment Group 10 (Place/Location Identification - Adient Point of FIT) Conditional (Optional)
Level: 3
Usage: Mandatory
Max Use: 1
Purpose: A segment indicating more details regarding specific locations related to the line item.

Dependency Notes:

Semantic Notes:

Comments:

Notes:

Data Examples

LOC+159+RF1::92'

Data Element Summary

<u>User</u>	<u>Data</u>	<u>Component</u>	<u>Attributes</u>
<u>Attribute</u>	<u>Element</u>	<u>Element</u> <u>Name</u>	
M	3227	LOCATION FUNCTION CODE QUALIFIER Code identifying the function of a location. 159 Additional internal destination Any location within the consignee's premises where the goods are moved to.	M 1 an..3
Must Use	C517	LOCATION IDENTIFICATION Identification of a location by code or name. 3225 Location name code Code specifying the name of the location.	C 1 C an..35
Notes to Trading Partner:			
Adient Point of FIT This value must be returned in the DESADV.			
Not Used		1131 Code list identification code Code identifying a user or association maintained code list.	C an..17
Must Use		3055 Code list responsible agency code Code specifying the agency responsible for a code list. 92 Assigned by buyer or buyer's agent Codes assigned by a buyer or buyer's agent.	C an..3
Not Used		3224 Location name Name of the location.	C an..256
Not Used	C519	RELATED LOCATION ONE IDENTIFICATION Identification the first related location by code or name.	C 1
Not Used		3223 First related location name code Code specifying first related location.	C an..25
Not Used		1131 Code list identification code Code identifying a user or association maintained code list.	C an..17

Not Used		3055	Code list responsible agency code Code specifying the agency responsible for a code list. Refer to D.04B Data Element Dictionary for acceptable code values.	C	an..3
Not Used		3222	First related location name Name of first related location.	C	an..70
Not Used	C553		RELATED LOCATION TWO IDENTIFICATION Identification of second related location by code or name.	C	1
Not Used		3233	Second related location name code Code specifying the second related location.	C	an..25
Not Used		1131	Code list identification code Code identifying a user or association maintained code list.	C	an..17
Not Used		3055	Code list responsible agency code Code specifying the agency responsible for a code list. Refer to D.04B Data Element Dictionary for acceptable code values.	C	an..3
Not Used		3232	Second related location name Name of the second related location.	C	an..70
Not Used	5479		RELATION CODE Code specifying a relation.	C	1 an..3

Group: **QTY** Segment Group 12: Quantity - Delivery Quantity
Position: 0450
Group: Segment Group 7 (Line Item) Conditional (Required)
Level: 3
Usage: Conditional (Required)
Max Use: 999
Purpose: A group of segments specifying quantity related information for actual delivery.

Segment Summary

<u>User</u>	<u>Pos.</u>	<u>Seg.</u>	<u>Name</u>	<u>Req.</u>	<u>Max.</u>	<u>Group:</u>
<u>Attribute</u>	<u>No.</u>	<u>ID</u>		<u>Des.</u>	<u>Use</u>	<u>Repeat</u>
M	0460	QTY	Quantity - (131) - Delivery Quantity	M		1

Segment: **QTY** Quantity - (131) - Delivery Quantity
Position: 0460 (Trigger Segment)
Group: Segment Group 12 (Quantity - Delivery Quantity) Conditional (Required)
Level: 3
Usage: Mandatory
Max Use: 1
Purpose: A segment to specify pertinent quantities relating to the line item.
Dependency Notes:
Semantic Notes:
Comments:
Notes:

Data Examples

QTY+131:1.000:PCE'

Data Element Summary

<u>User</u>	<u>Data</u>	<u>Component</u>	<u>Name</u>	<u>Attributes</u>
<u>Attribute</u>	<u>Element</u>	<u>Element</u>		
M	C186		QUANTITY DETAILS Quantity information in a transaction, qualified when relevant.	M 1
M		6063	Quantity type code qualifier Code qualifying the type of quantity. 131 Delivery quantity Quantity required by buyer to be delivered.	M an..3
M		6060	Quantity Alphanumeric representation of a quantity.	M an..35
			Notes to Trading Partner: Quantity scheduled or instructed for delivery Value including 3 decimal places	
Must Use		6411	Measurement unit code Code specifying the unit of measurement.	C an..8

Segment: **UNT** Message Trailer
Position: 0560
Group:
Level: 0
Usage: Mandatory
Max Use: 1
Purpose: A service segment ending a message, giving the total number of segments in the message (including the UNH & UNT) and the control reference number of the message.

Dependency Notes:

Semantic Notes:

Comments:

Notes:

Data Examples

UNT+30+1'

Data Element Summary

<u>User</u>	<u>Data</u>	<u>Component</u>	<u>Attributes</u>
<u>Attribute</u>	<u>Element</u>	<u>Element</u> <u>Name</u>	
M	0074	NUMBER OF SEGMENTS IN A MESSAGE Control count of number of segments in a message.	M 1 n..6
M	0062	MESSAGE REFERENCE NUMBER Unique message reference assigned by the sender.	M 1 an..14

DELJIT Just-inTime Delivery Schedule Example

UNB+UNOC:3+SENDER-ID+RECEIVER-ID+141129:0951+1++DELJITJIS'
UNH+1+DELJIT:D:04B:UN:GA0611+1'
BGM+242::6+201411290951+9'
DTM+137:201411290951:203'
NAD+BY+1769::92'
NAD+SF+309814::92'
NAD+ST+1769::92'
LOC+11+1769::92'
SEQ+39+123450:4'
DTM+206:201411291530:203'
GIR+4+12345670:AN+1234561:VV'
LIN+1++1234561-01:IN'
PIA+1+MIKKPK1:SA'
RFF+AAN:1234567890#9876543210'
RFF+ON:0055059001:00001'
LOC+159+1769::92'
QTY+131:1:PCE'
LIN+1++1234562-01:IN'
PIA+1+MIKKPK2:SA'
RFF+AAN:1234567890#9876543211'
RFF+ON:0055059002:00001'
LOC+159+1769::92'
QTY+131:2:PCE'
SEQ+39+123451:4'
DTM+206: 201411291530:203'
GIR+4+12345671:AN+1234563:VV'
LIN+1++1234563-01:IN'
PIA+1+MIKKPK3:SA'
RFF+AAN:1234567892#9876543212'
RFF+ON:0055059003:00001'
LOC+159+1769::92'
QTY+131:3:PCE'
UNT+35+1'
UNH+2+DELJIT:D:04B:UN:GA0611+1'
BGM+225::6+201411290952+9'
DTM+137:201411290952:203'
NAD+BY+1769::92'
NAD+SF+309814::92'
NAD+ST+1769::92'
LOC+11+1769::92'
SEQ+39+123452:4'
DTM+206:201411291530:203'
GIR+4+12345672:AN+1234564:VV'
LIN+1++1234564-01:IN'
PIA+1+MIKKPK4:SA'
RFF+AAN:1234567893#9876543213'
RFF+ON:0055059004:00001'

LOC+159+1769::92'
QTY+131:4:PCE'
SEQ+39+123453:4'
DTM+206:201411291530:203'
GIR+4+12345673:AN+1234565:VV'
LIN+1++1234565-01:IN'
PIA+1+MIKKPK5:SA'
RFF+AAN:1234567894#9876543214'
RFF+ON:0055059005:00001'
LOC+159+1769::92'
QTY+131:5:PCE'
UNT+26+2'
UNZ+2+1'